



# 常州市创联电源科技股份有限公司

Changzhou Chuanglian Power Supply Technology Corporation

## 承认书

### CERTIFICATE FOR CONFIRMATION

客户名称 ( CUSTOMER ) : \_\_\_\_\_

客户料号 ( PART NO. ) : \_\_\_\_\_

产品名称 ( PART NAME ) : \_\_\_\_\_ POWER SUPPLY

产品规格 ( DESCRIPTION ) : \_\_\_\_\_ A-350AK Series

编制日期 ( DATE ) : \_\_\_\_\_

制定 (Engineer)	审核 (Supervisor)	核准 (Engineer Manager)
何文良	陈苏华	刘勇
承认 (Engineer)	审核 (Supervisor)	核准 (Engineer Manager)



注:此承认书一式二份,请签核完后寄回我司一份保存。

Remark:This certification is in duplicate,please send us a copy signing.

厂商:常州市创联电源科技股份有限公司

Mfr.Changzhou Chuanglian Power Supply Technology Corporation

地址:江苏省常州市钟楼经济开发区童子河西路8号

Address:No.8,Tongzihe West Road,Bell Tower Economic Development Zone,Changzhou,Jiangsu 213024,China

电话:86-519-85215050, 85210525

Tel:86-519-85215050, 85210525

传真:86-519-85215252, 85215770

Fax:86-519-85215252, 85215770

网址:www.cl-power.com ,www.haitaik.com

Http:www.cl-power.com www.haitaik.com

邮箱:haitaik@haitaik.com

E-mail:haitaik@haitaik.com

编号:



# A-350AK Series



## ◆ Features

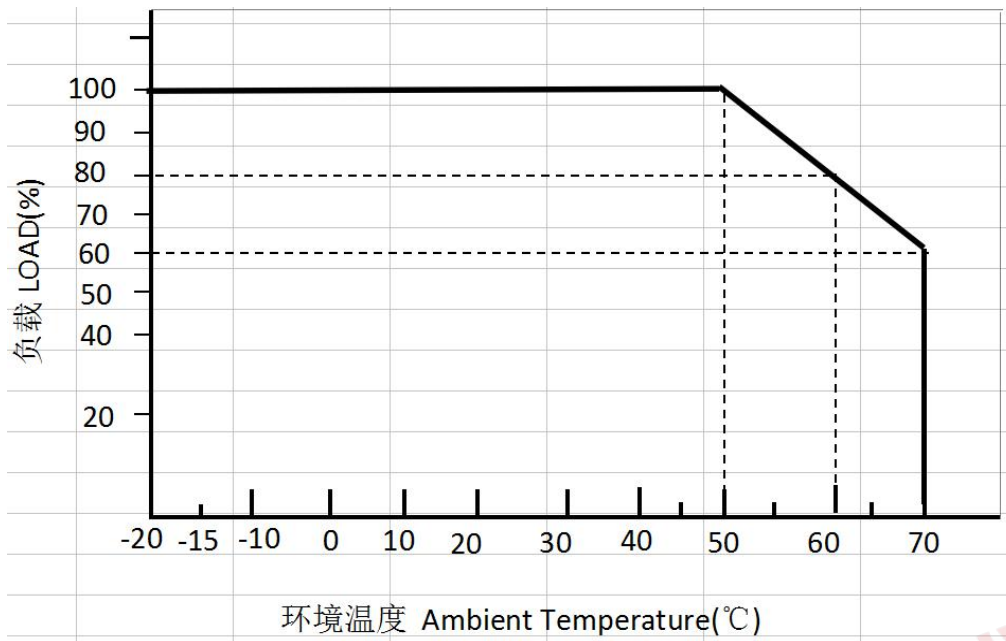
- High reliability, strong load capability
- 100% full load burn-in test
- Forced air cooling by built-in DC fan
- Protections: Overload/Shortcircuit
- 2 years warranty

## Specification

Model	A-350AK-3.3	A-350AK-3.8	A-350AK-4.2	A-350AK-4.5	A-350AK-5		
Output	DC	3.3V	3.8V	4.2V	4.5V	5V	
	Rated current	70A	70A	70A	70A	70A	
	Range	0~70A	0~70A	0~70A	0~70A	0~70A	
	Rated power	231W	266W	294W	315W	350W	
	R&N	200mVp-p	200mVp-p	200mVp-p	200mVp-p	200mVp-p	
	DC adjustment	2.97~3.63V	3.42~4.18V	3.78~4.62V	4.05~4.95V	4.5~5.5V	
	Voltage accuracy	±2.0%	±2.0%	±2.0%	±2.0%	±2.0%	
	Line regulation	±0.5%	±0.5%	±0.5%	±0.5%	±0.5%	
	Load regulation	±2%	±2%	±2%	±2%	±2%	
	Start, Rise time	500ms, 50ms/230VAC 100% Load					
Holduptime Typ	20ms/230VAC 100% load						
Input	Voltage range	90 ~ 132VAC/176 ~ 264VAC by switch					
	Frequency	47~63HZ					
	PF (Typ)	PF≥0.5					
	Effi (Typ)	≥76%	≥78%	≥80%	≥81%	≥82%	
	AC	115VAC	5.3A	6.0A	6.4A	6.8A	7.5A
		230VAC	2.7A	3.0A	3.2A	3.4A	3.8A
InrushcurrentTyp	60A/230VAC						
Leakage current	<1mA/230VAC						
Protec tions	Over load	110~140% rated					
	Short circuit	Shut down input and remove short circuit ,re-power on to recover					
	Over voltage	/					
	Over temp	/					
Envire ment	Working temp	-20°C~+50°C (AC 230V) (Refer to output derating curve)					
	Working humidity	20~90%RH No solidification					
	Storage temp	-30~+85°C					
	Storage humidity	10~95%RH No solidification					
	Temp coefficient	±0.03%/°C (0~50°C)					
Others	Vibration	10~500Hz, 2G, 10min/Cycle, period for 60 min ,each along X,Y,Z axes					
	Safety	Design refer to GB4943-2001, UL1012					
	Withstand voltage	I/P-O/P: 1.5KVAC I/P-FG: 1.5KVAC O/P-FG: 0.5KVAC					
	Insulation resistan	I/P-O/P、I/P-FG、O/P-FG: >50MΩ/500VDC/25°C/70%RH					
	EMC	Design refer to GB9254 EN55022, Class A					
	THD	Design refer to GB17625.1;EN61000-3-2,-3					
Others	EMS	Design refer to EN55024 ;EN61000-4-2, 3, 4, 5, 6, 8, 11					
	Lifetime	100,000 hours (25°C)					
	Dimension	218×117×30.5 (L*W*H)					
Others	Packing	0.7Kg/pc					
	Note	<p>*Using 70% load is good for the power supply life</p> <p>*Ripple wave testing method: Using 20MHz oscilloscope to test the power output terminal, the length of the oscilloscope probe is not more than 12mm, and the probe input parallel 47uF electrolytic capacitor and 0.1uF high frequency capacitor .</p>					



### Output derating curve

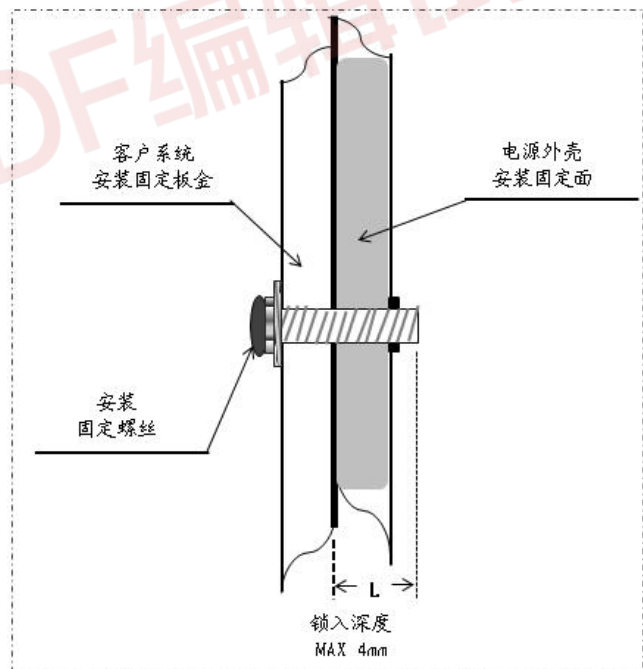


### Installation

#### 警示

#### Warning

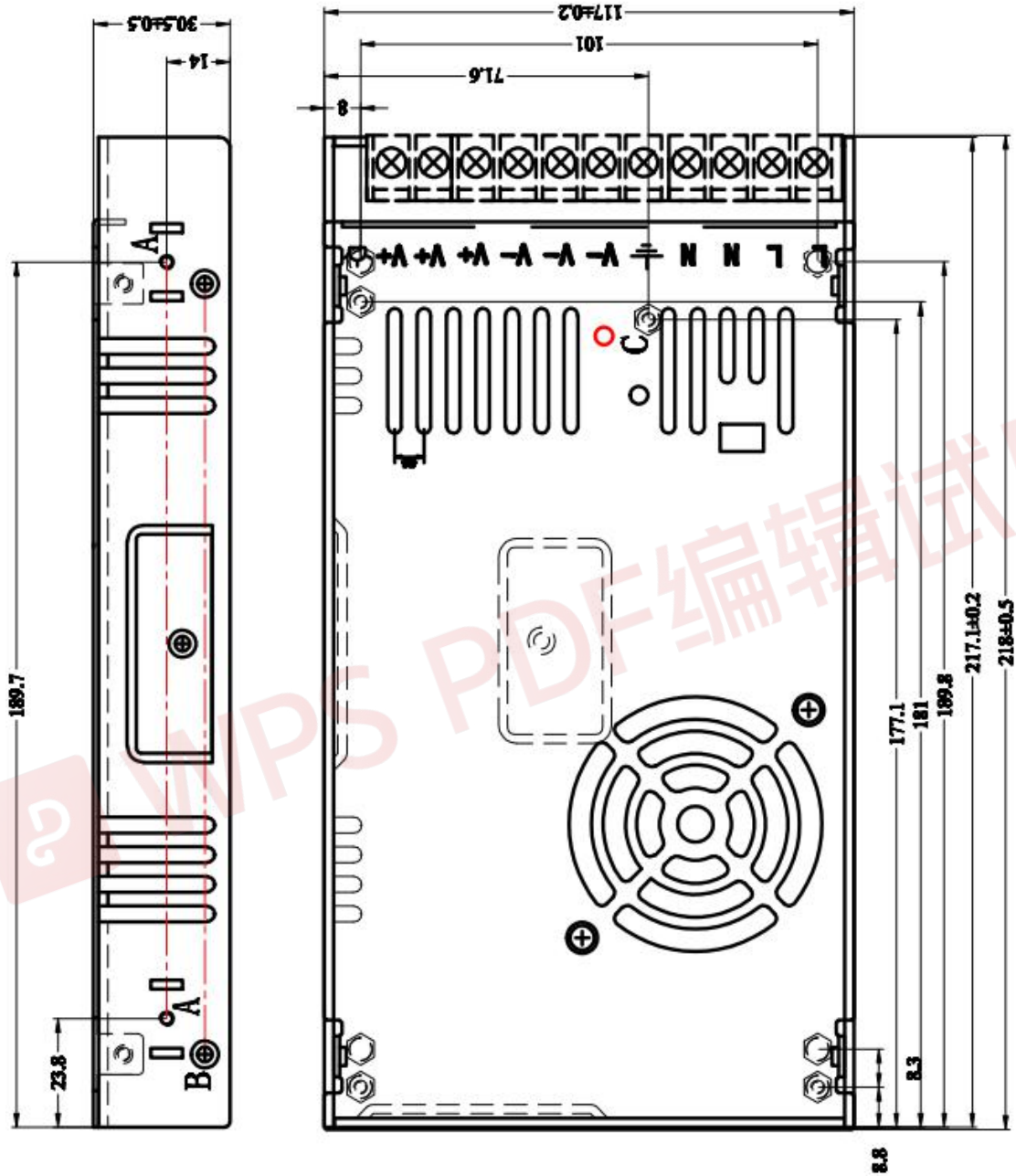
- 使用安装螺丝M3\*6mm,  
Using the mounting screws M3\*6mm
- 深入外壳螺丝深度MAX 4mm,  
Deep housing screw depth Max 4mm
- 详见右图  
As shown on the right




### Label



Case drawing



Pin No.	Assignment	Pin No.	Assignment
L	AC/L	-V	DC output (-V)
N	AC/N	+V	DC output (+V)
	FG		