



INDUSTRIAL SERIES 工业系列

On-board screen dedicated power supply 车载屏专用电源

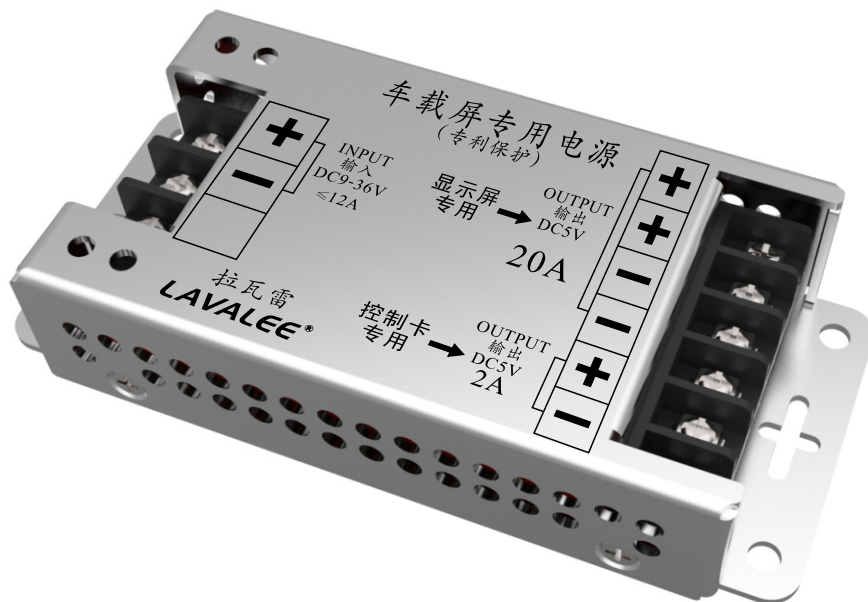


www.lavalee.cn www.la-valee.cn
TEL: +86-4000-12580-8

ASD-12D5N20A100DT

Has been the appearance of patents Patent number: ZL 2014 1 0084302.1
已经获得专利，专利号：ZL 2014 1 0084302.1

DC9~36V to DC 5V / 20A / 100W

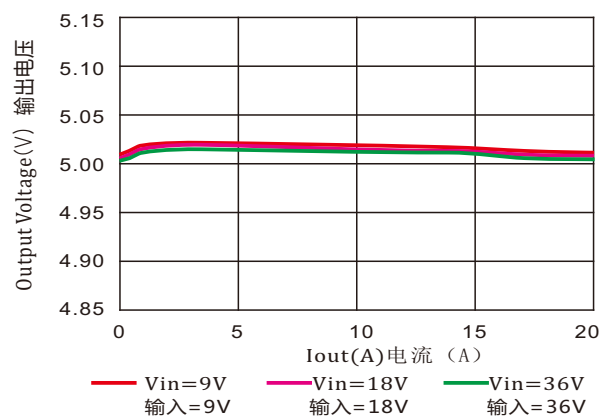
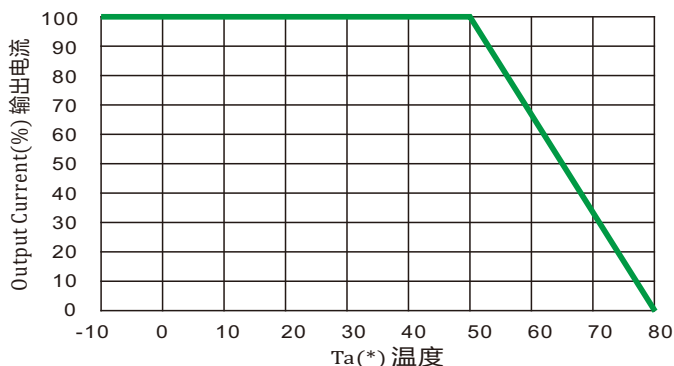


- To prevent car screen flower screen, the splash screen and two horizontal line design
防止车载屏花屏、闪屏和两横线
- Input reverse connect protection
输入反接保护
- High efficiency & Small Size SIL
体积小，高效率
- Output over-current
Over-voltage under-voltage
Short-circuit protection
输出短路保护，过流过载保护
- Low output ripple and noise
输出低纹波输出和低噪声
- The two level output
overvoltage protection
输出双级过压保护
- Through the EMC certification
通过EMC认证
- Aluminum shell metal shell
natural cooling
专业铝合金外壳，自然冷却

PARAMETERS 参数

MODEL	ASD-12D5N20A100DT				
OUTPUT	DC Output	5V±0.2	INPUT	Voltage Range	DC9-36V
	Two ways of output current	20A / 2A		Frequency Range	BW=20MHz
	Current Range Note 1	0~20A		Efficiency	97%
	Ripple and noise	<100mVpp max		DC Current	<2.9A
	Voltage set point accuracy	±3.0%/o max		Inrush Current(Typical)	100A@DC Cold start
	Over-current protection	>120%o,hiccup		Leakage Current : Input-Output<0.2mA Input-PG:<0.3mA	
	Line Regulation	0.2%/o max	SAFETY & EMC Note 3	Safety Standards	CE
	Load Regulation	0.2%/o max		Withstand Voltage	DC40V
	Short-circuit protection	Hiccup	Environmental	MTBF	>2 million hrs
	Hold up time	>8mS		Temperature coefficient	<±0.02%/°C
	Transient response	100mA max		Storage temperature range	(-55°C to 115°C)
	Overshoot and Undershoot	<±5.0%		Operating board temperature range	(-30°C to 75°C)

DERATING CURVE 性能曲线图





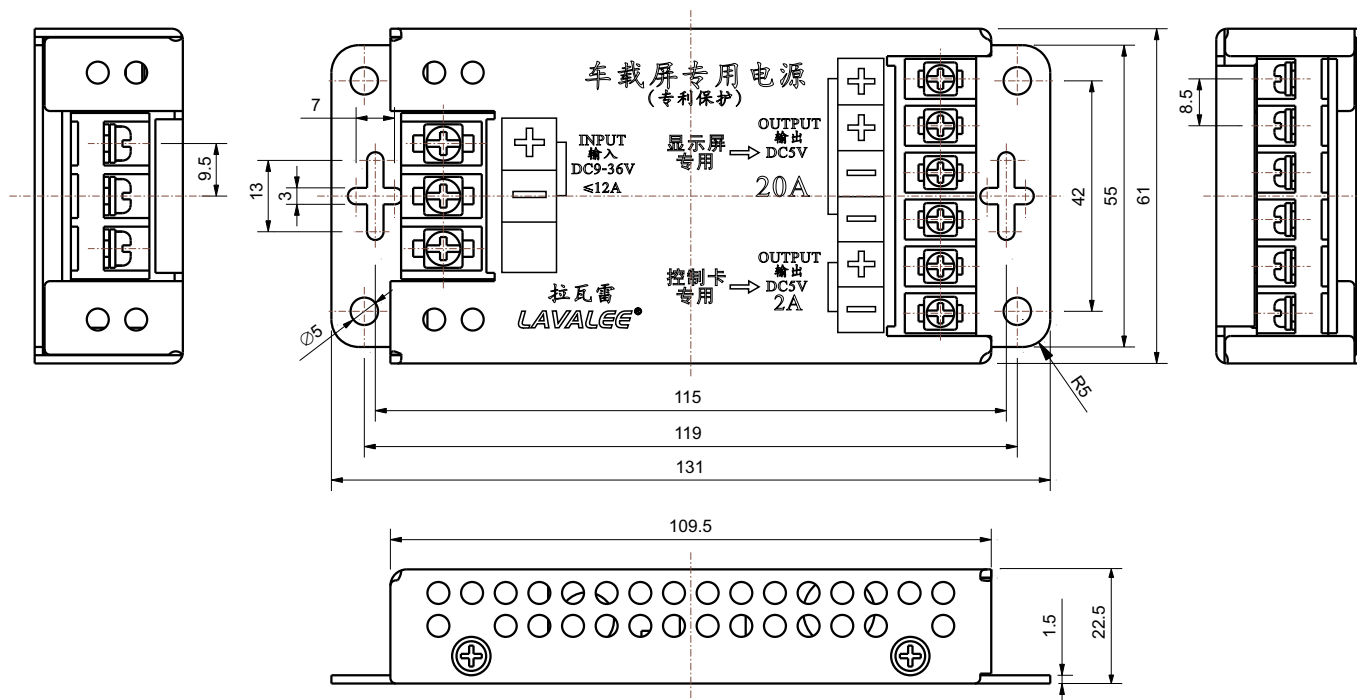
INDUSTRIAL SERIES 工业系列

On-board screen dedicated power supply 车载屏专用电源

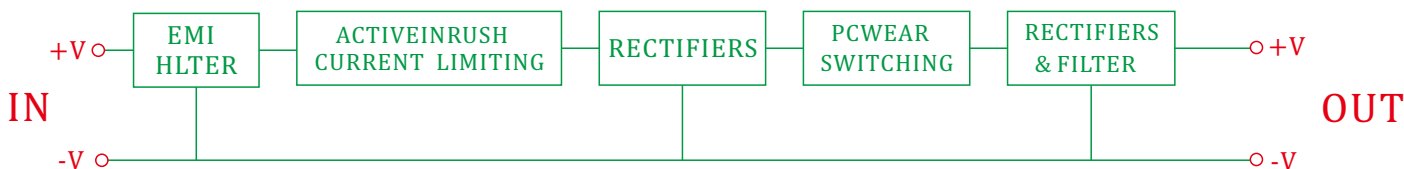


www.lavalee.cn www.la-valee.cn
TEL: +86-4000-12580-8

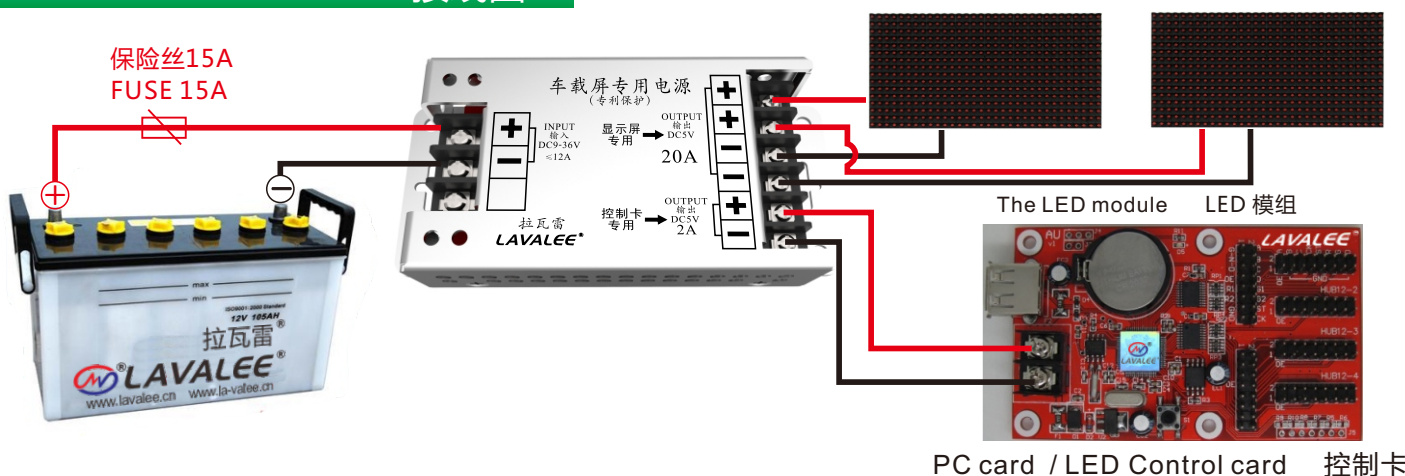
DIMENSIONS 尺寸



BLOCK DIAGRAM 原理图



WIRING DIAGRAM 接线图



WARNING
注意

Summer high temperature must be the largest car, with LED module drive current selection with the current vehicle power supply. For example, the P10 module 32 X12 each maximum drive current is 5A, the n mode group must vehicle power source $\geq nx5A$.
夏天车上高温,必须以LED模组最大驱动电流选配同电流车载电源。比如P10模组32点x12点每张最大驱动电流为5A,n张模组必须选配 $\geq nx5A$ 的车载电源。