



# Product Specifications

Full Color Asynchronous Controller Card

**HD-D06**

V2.0 20190827

## System Overview

---

HD-D06 is a full color LED screen asynchronous control system that supports Wi-Fi connection, mobile APP control.

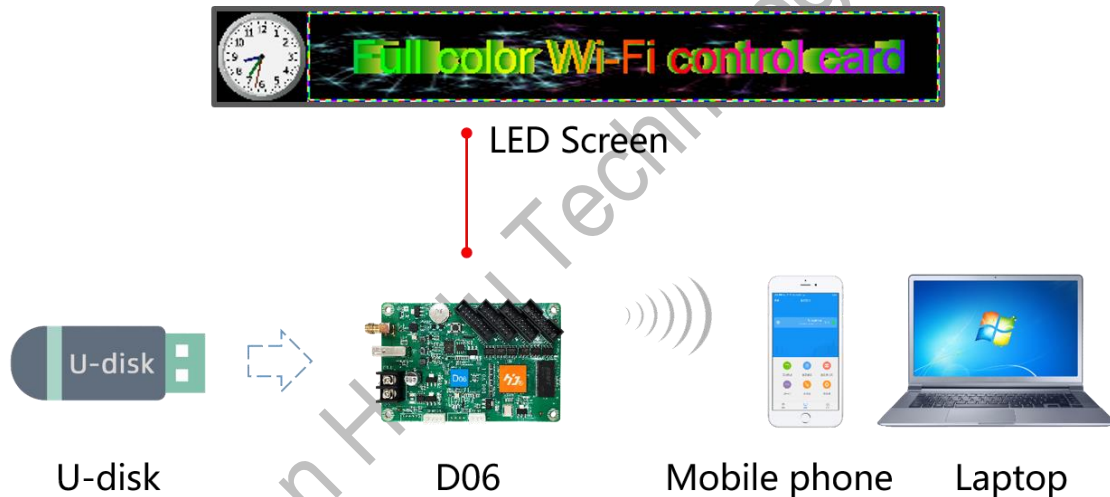
HD-D06 has 128MB memory storage, which can be used to store program files for offline play.

It use HDPlayer and mobile APP-“LedArt” for management.

## Communication mode

---

Upgraded programs by laptops, mobile phones with Wi-Fi connection or use U-disk for upgrade programs.



## Features

---

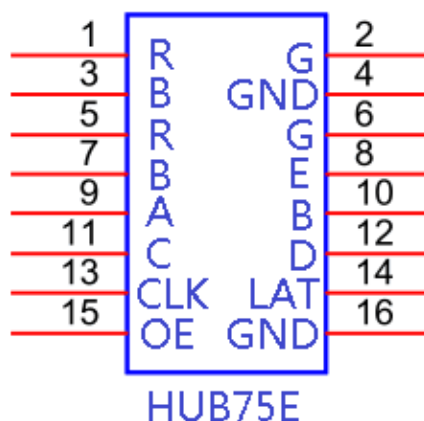
1. Support variety full color modules,
2. Control range: 1024\*64,
3. Support 256~65536 gray level,
4. Support Image, Word art, Animation background, Neon light effect,
5. Support U-disk unlimited expansion program, plug in broadcast,
6. No need set IP address, HD-D06 could be identified by controller ID automatically,
7. Not support video play.

## System function list

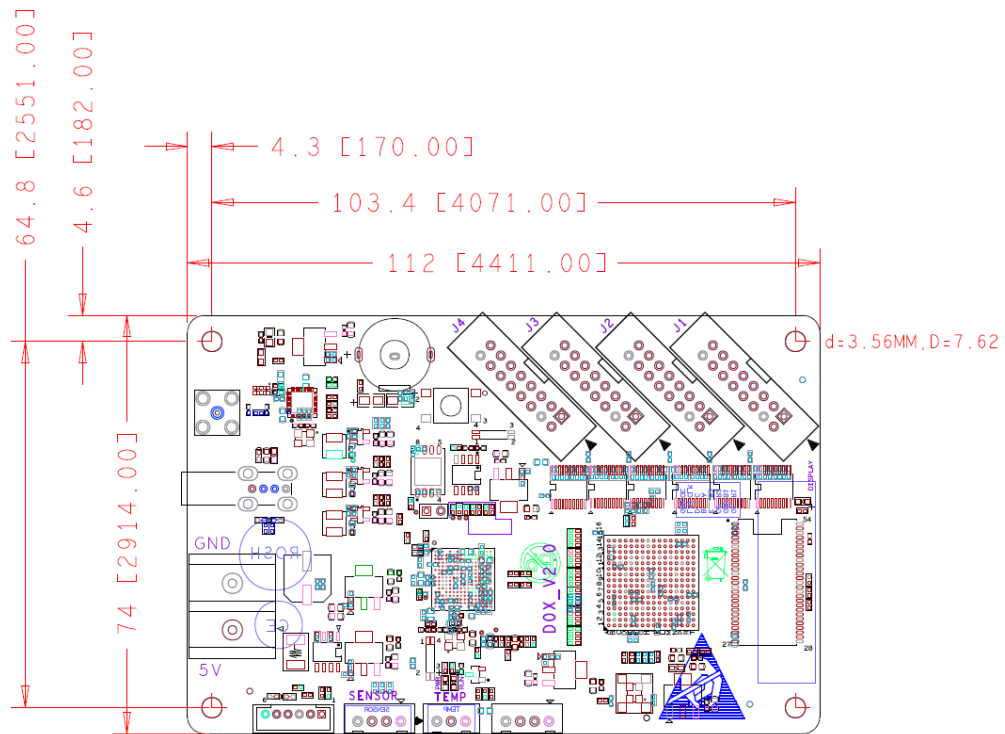
<b>Module type</b>	<b>Full color modules, Static to 1/64 scan mode</b>
<b>Control Range</b>	1024*64, Widest: 1024, highest: 128
<b>Gray Scale</b>	256~65536
<b>Animation Formats</b>	SWF、GIF
<b>Image Formats</b>	BMP、JPG、JPEG、PNG etc.
<b>Text</b>	Support text message editing, inserting picture;
<b>Time</b>	analog clock, digital clock and a variety of dial clock functions
<b>Other function</b>	Neon, animations function; Clockwise/counter-clockwise count; support temperature and humidity; Adaptive brightness adjustment function
<b>Memory</b>	128MB, Support indefinitely expanding memory by U-disk;
<b>Communication</b>	U-disk, Wi-Fi
<b>Port</b>	5V Power *1, 4 lines HUB75E
<b>Software</b>	HDPlayer, LedArt

## Interface definition

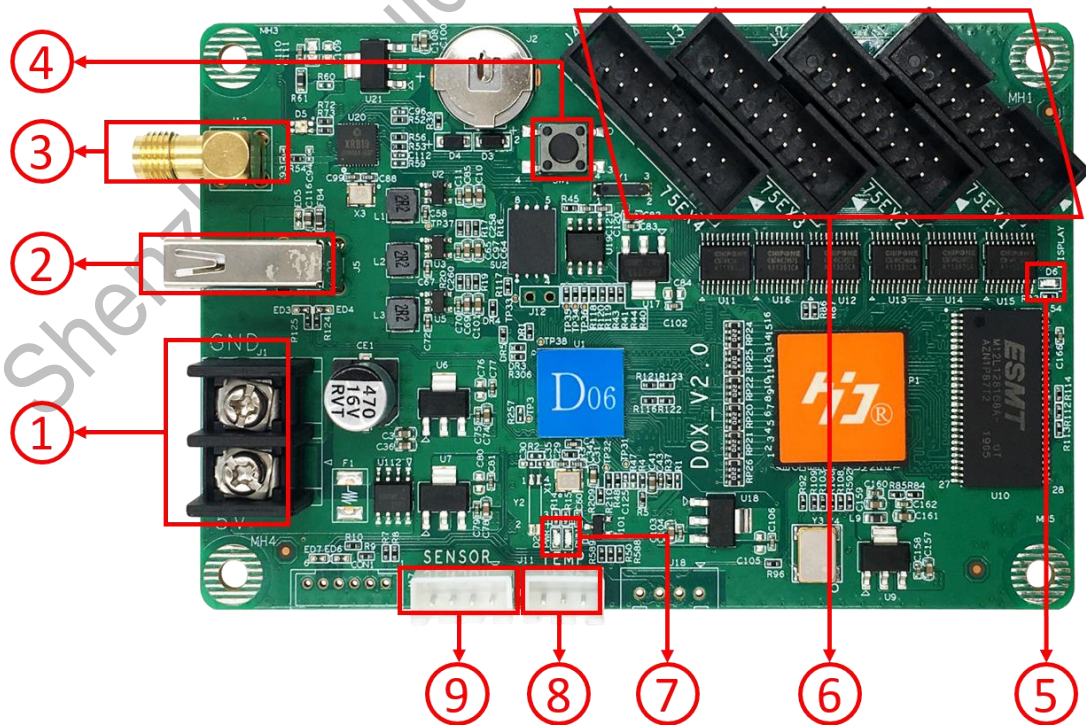
Support 4 groups HUB 75E parallel data are defined as follows:



## Assembly drawing



## Interface Explanation



1. Power terminal, connect 5V power,
2. USB port, connected to USB device for update programs, e.g. U-disk, Mobile hard disk, etc,
3. External antenna interface: Connect the antenna to enhance Wi-Fi signal,
4. Test button: for test the brightness and contrast of the display screen,
5. Display light (Display), normal working state is flashing
6. HUB75E port: connect LED screen by cable,
7. Power light and running light: D1 is running light, D2 is power light, normal working state: power is always on, run flashes,
8. Temperature Sensor port: for connect to Temperature;
9. Sensor Port: for connect external sensor.

## Technical Parameters

	Minimum	Typical value	Maximum
<b>Rated voltage(V)</b>	4.2	5.0	5.5
<b>Storage temperature(°C)</b>	-40	25	105
<b>Work environment humidity (°C)</b>	-40	25	80
<b>Work environment humidity (%)</b>	0.0	30	95

## Precaution

- 1) To ensure that the control card is stored during normal operation, make sure the battery on the control card is not loose;
- 2) In order to ensure the long-term stable operation of the system; please try to use the standard 5V power supply voltage.