

Product Specifications

Receiving card HD-R508

V0.1 20190829

Overview

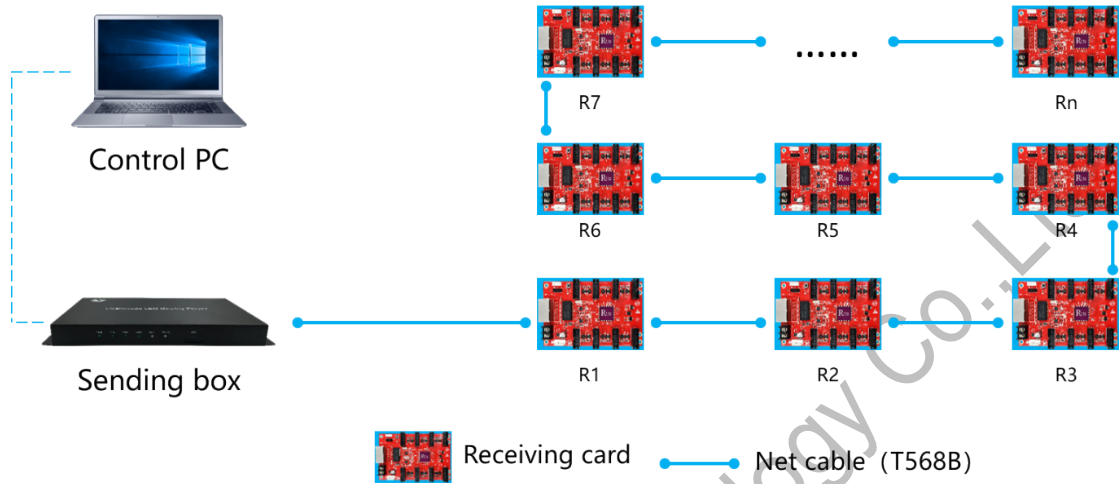
R508, upgraded version of R5018, on-board 8*HUB75E ports, compatible with R500/R501/R5018/R512/R516/R612.

Parameters

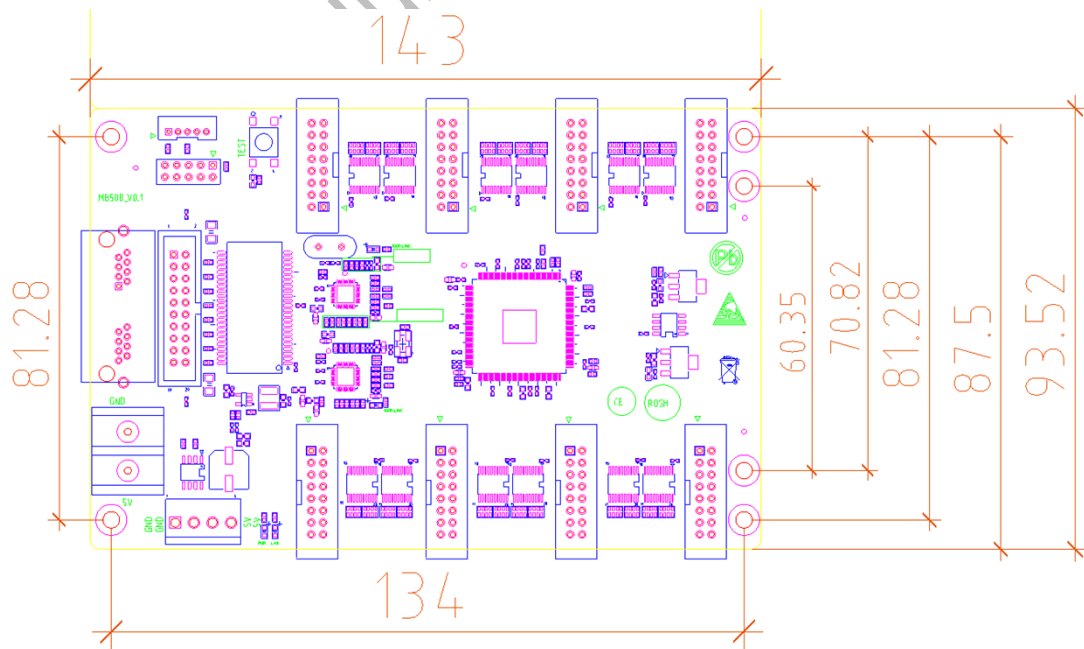
| | |
|-------------------------------|---|
| Fit for sender | A4、A5、A6、A601、A602、A603 dual mode player; A3、A30、A30+、C10、C10C、C30、C15、C15C、C35、C35C Asynchronous controller; T901、T901B、T901S synchronous controller; VP210、 VP410 video processor |
| Module type | Compatible with all common IC module, supported most PWM IC module. |
| Scan mode | Supports any scanning method from static to 1/64 scan |
| Communication method | Gigabit Ethernet |
| Control range | Recommend: 256*256 pixels Outdoor module width ≤ 256 , Indoor module width ≤ 128 |
| Multi-card connection | Receiving card can be put in any sequence |
| Gray scale | 256~65536 |
| Smart setting | A few simple steps to complete the smart settings, through the screen layout can be set to go with any alignment of the screen unit board. |
| Test functions | Receiving card integrated screen test function, Test display brightness uniformity and display module flatness. |
| Communication distance | Super Cat5, Cat6 network cable within 146 meters |
| Port | 5V DC Power*2, 1Gbps Ethernet port*2, HUB75E*8 |
| Input voltage | 4V-6V |
| Working temperature | -40°C~85°C |

Connection method

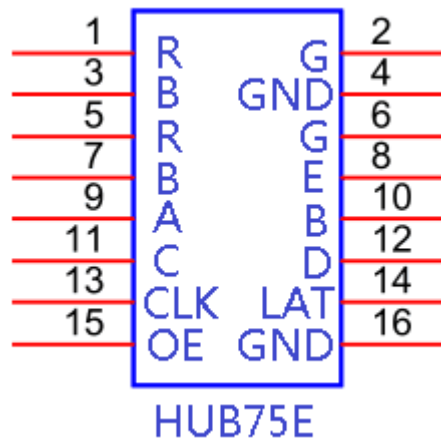
Connection diagram of connecting R508 with player A6:



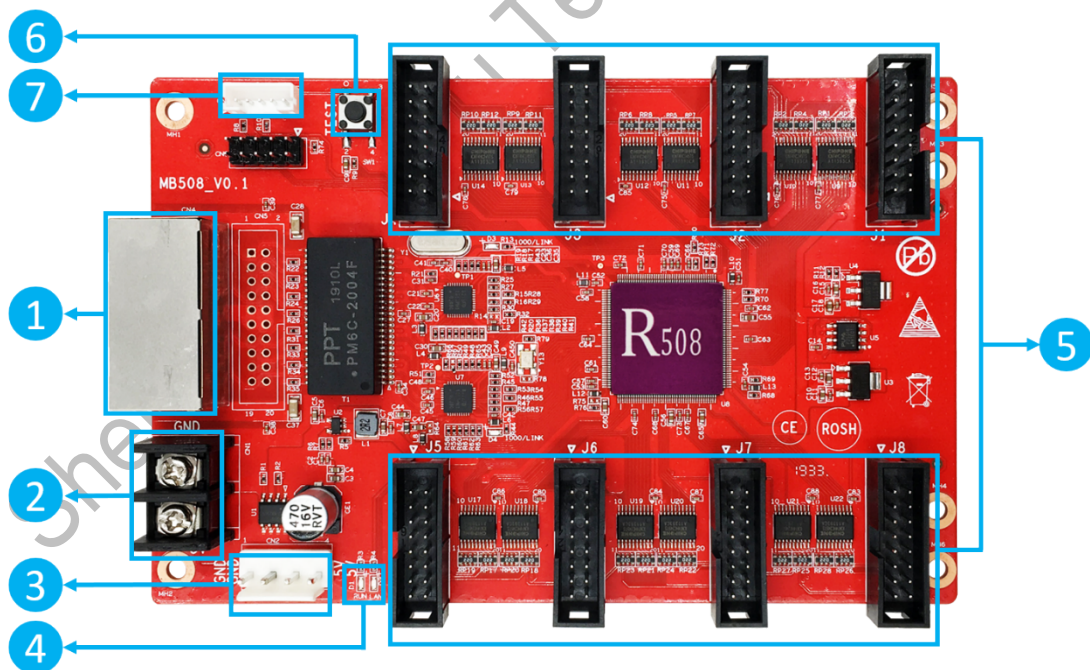
Dimensions



Interface definition



Appearance Description



①: Gigabit Ethernet port, used to connect the sending card or receiving card, the same two network ports are interchangeable,

- ②: Power interface, can be accessed with 4.5V ~ 5.5V DC voltage;
- ③: Power interface, can be accessed with 4.5V ~ 5.5V DC voltage; (②, ③ connect one of them is ok.)
- ④: Work indicator, D1 flashes to indicate that the control card is running normally; D2 flashes quickly to indicate that Gigabit has been recognized and data is being received.
- ⑤: HUB75Eport, connect to the modules,
- ⑥: Test button, used to test display brightness uniformity and display module flatness.
- ⑦: External indicator light, run light and data light.

Technical Parameters

| | Minimum | Typical value | Maximum |
|---|---------|---------------|---------|
| Rated voltage(V) | 4.2 | 5.0 | 5.5 |
| Storage temperature(°C) | -40 | 25 | 105 |
| Work environment temperature(°C) | -40 | 25 | 80 |
| Work environment humidity (%) | 0.0 | 30 | 95 |

Precautions

- 1) ensure the system long-term stable running, please keep to use the standard

5V power supply voltage.

Shenzhen Huidu Technology Co., Ltd