

Nova MRV300-2 Receiving Card

Specifications

1 Functions



MRV300 is the standard model of Nova receiving card. It has the following characteristics:

- 1) Single card outputs 16-group of RGBR 'data;
- 2) Single card outputs 20-group of RGB data;
- 3) Single card outputs 64-group of serial data;
- 4) Single card support resolution 256x226;
- 5) Support configuration file readback;

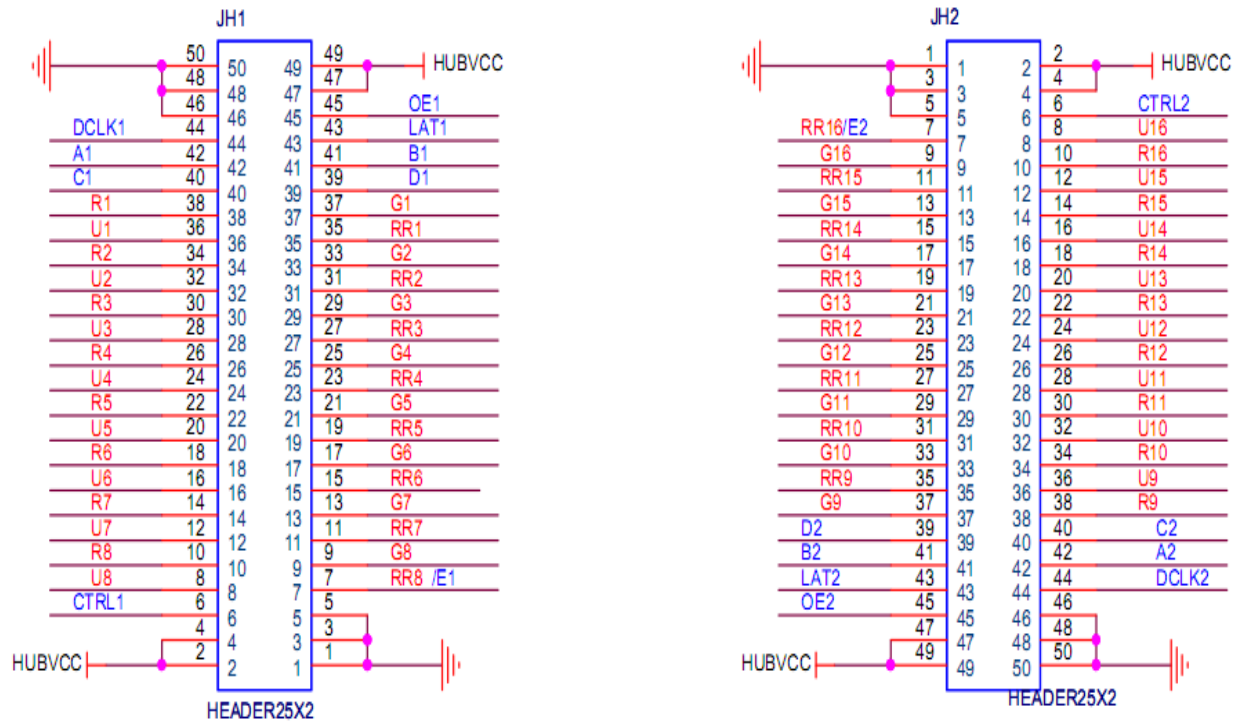
- 6) Support temperature monitoring.
- 7) Support Ethernet cable communication status detection;
- 8) Support power supply voltage detection;
- 9) Support pixel by pixel brightness and chromaticity calibration.
Brightness and chromaticity calibration coefficients for each LED;
- 10) Support pre-store picture setting;
- 11) Comply with EU RoHs standard;
- 12) Comply with EU CE-EMC standard.

2. Output interface definition

Under all the three different working modes of it, two 50P interface can output different data, and only one common program and software is required, no customized program necessary; interface is defined as follows:

1) 16-group data mode

Support 16-group of RGRB 'parallel data, defined as follows:



Virtual R signal in the last data group of each 50pin hub is decoding signal E at 1/32 scan mode.

In case of horizontal LED bar, the default is, Data1 drives the first row from the top, and Data64 drives the 64th row. (front view). In case of vertical LED bar, the default is, Data1 drives the first column of from the left, and Data64 drives the 64th column. (front view).

3. Dimensions

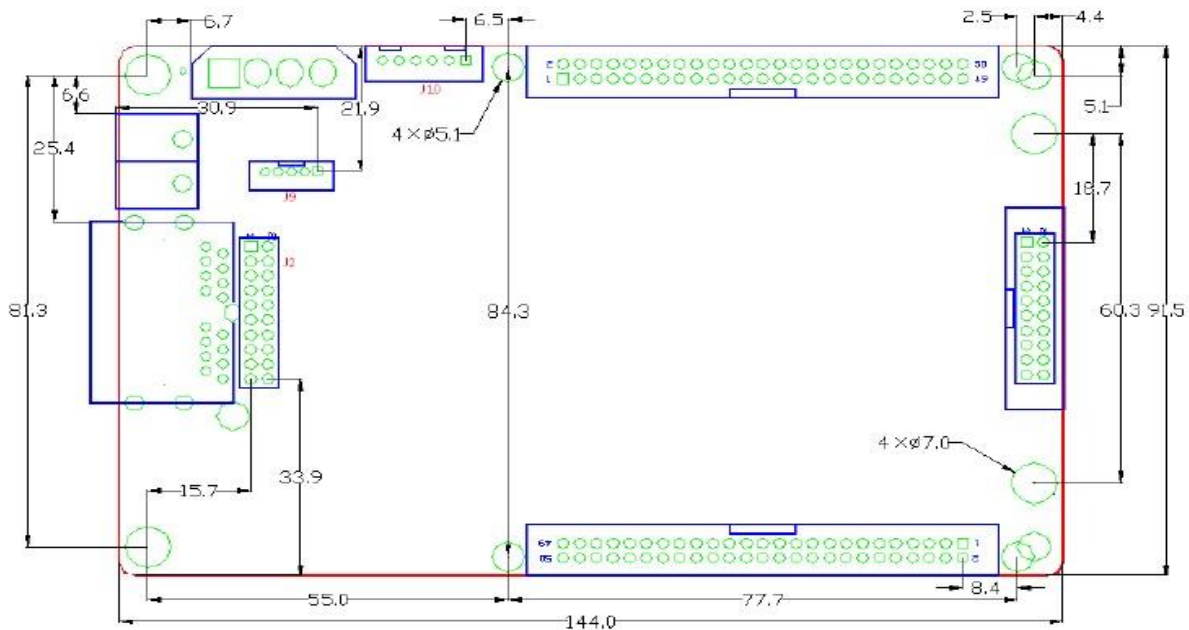


Fig. 1 MRV300 Dimensions

J2 definition (Connector interface of the network ports)

2	4	6	8	10	12	14	16	18	20
A0+	A1+	A2+	A3+	B0+	B1+	B2+	B3+	GND	VCC
1	3	5	7	9	11	13	15	17	19
A0-	A1-	A2-	A3-	B0-	B1-	B2-	B3-	GND	VCC

J9 definition (Indicator light Socket)

1	2	3	4	5
STA_LED	LED +/3.3V	PWR_LED -	KEY +	KEY -/GND

4. Specific Model List



www.novastar-led.com

To meet the needs of different customers, Nova provides more specific models of the products, including standard products in stock, other models need to be customized;

Model	Specification
MRV300 - 1	Standard model, male connector on top
MRV300 - 2	Male connector on bottom
MRV300 - 3	Female connector on top
MRV300 - 4	Female connector on bottom

