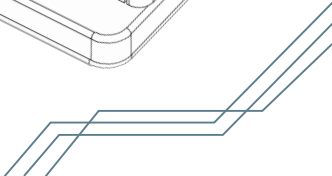
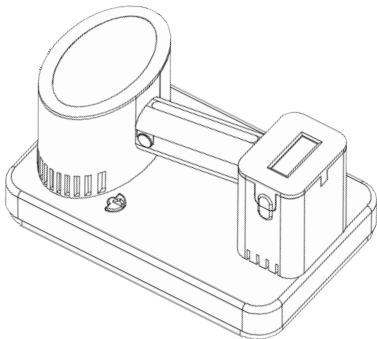






LED DISPLAY FRONT MAINTENANCE  
TOOL INSTRUCTION MANUAL

# LED显示屏前维护工具 使用说明书





## 工具参数

Tool parameter

充电器充电电压：100-240V

Charger charging voltage: 100-240V

充电器输出电压：25.2V

Charger output voltage: 25.2V

锂电池能量：43.2Wh

Lithium battery energy: 43.2Wh

最大持续充电电流：25.2V-1A

Maximum continuous charging current: 25.2V-1A

持续放电时长：18-20MIN（本数据为实验室数据，

Continuous discharge duration: 18-20MIN(This data is laboratory data,

根据使用环境变化会有所波动）

change according to the use environment, data will fluctuate)

工作环境：-20-45℃ 15%-85%RH

Working environment: -20-45℃ 15%-85%RH

充电时长：2小时

Charging time : Two hours

## 工具规格及适用显示屏型号

Tool description and applicable display model

长宽高：230\*150\*115.8MM

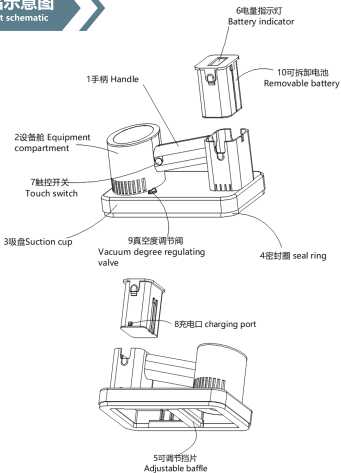
L\*W\*H: 230\*150\*115.8MM

吸盘尺寸：230\*150MM

Suction cup size: 230\*150MM

## 产品示意图

Product schematic



1、手柄  
Handle

2、设备舱  
Equipment compartment

3、吸盘  
Suction cup

4、密封圈  
Seal ring

5、可调节挡片  
Adjustable baffle

6、电量指示灯  
Battery indicator

7、触控开关  
Touch switch

8、充电口  
charging port

9、真空度调节阀  
Vacuum regulating valve

## 使用操作说明书

Use operating instruction

打开总开关，手持工具手柄，然后将吸盘对准模组中心位置，轻触触控开关启动，轻轻将模组脱出，另一只手将模组拿稳后，轻触触控开关关闭马达，然后关闭总开关即可。（注：马达默认低档位，按压1.5秒启动高档位；打开总开关后，电量指示灯5个灯亮为满电状态，2个灯亮为电量25%，则需要及时充电。）

本工具设计有真空度调节功能，根据所要维护的模组的点间距不同，可以通过拨动真空度调节阀，根据阀门设计的泄气孔大小来控制真空度大小，从而不会因为吸力过大，对小间距模组造成不必要的伤害。

注：若长时间不用，请充满电后储存，并且定期充电，保持电池满电状态。长途运输时要将电池从工具中取出，避免误触开机。

Open the main switch, hand the tool handle, and then put the suction cup at the center of the module. tap the touch switch button, gently pull the module out smoothly, the other hand holds the module steady, touch the touch switch button to turn off the motor, then turn off the main switch. (remark: the motor is be defaulted as lower gear, press about 1.5 second to start the higher gear; after open the main switch, Power indicator: 5 lights are on, the battery is fully charged, 2 lights are on, the battery is 25% , need to charge in time .)

This tool is designed with vacuum adjustment function, depending on the different point spacing of the maintained modules, can pull the vacuum adjustment valve, control the strength of vacuum according to the size of the vent hole of the valve design, it can avoid damaging the small pitch modules although the suction power is strong.

Remark: if no need use the tool for a long time, please charge before storage, and charging regularly, keep the battery full power state. Take out the battery from the tool during long-distance transportation to avoid accidentally switching on.

## 充电说明

Charging instruction:

本工具电池可支持拆卸，将充电器插入插座，DC端插入电池充电座（可不拆卸充电），通过电量指示灯查看充电状态，待充满电后，拔掉充电器即可。

battery of the tool can be disassembled. Plug the charger into the socket, and plug the DC end into the battery charging base (can be charged without disassembly), check the charging status through the power indicator, and unplug the charger after it is fully charged.

## 产品优势

Product advantage

- 1、吸力更大，可调节吸盘口尺寸，兼容更多尺寸模组；  
1. Larger suction cup, adjustable suction cup mouth size, compatible with more size modules
- 2、绝佳人体工学设计，使用更方便；  
2. Excellent ergonomic design for easier use
- 3、独特风道设计，散热更好，延长马达寿命；  
3. Unique air duct design for better heat dissipation and longer motor life
- 4、自动断电功能，有效延长电池寿命，提高使用体验；  
4. Automatic power-off function effectively prolongs battery life and improves user experience
- 5、独特防静电设计，保护模组安全；  
5. Unique anti-static design to protect module security
- 6、人性化背包设计，高空作业更安全；  
6. User-friendly of backpack design, safer work at height
- 7、支持更换电池，增加续航能力，解决亏电痛点；  
7. Support battery replacement, increase endurance and solve power loss pain points
- 8、优化设计，吸力更强劲，噪音更低。  
8. Optimized design, stronger power and lower noise

## 保修政策

Warranty Policy

正常使用，整机质保一年

Normal use, the whole machine is guaranteed for one year

- 1、未使用标配充电器、吸入杂物、淋雨泡水、高空跌落、私自拆解工具等人为损坏不在保修范围内。
- 2、因充电电压不稳定造成的工具烧毁，不在保修范围内。
- 3、因充电环境变化和使用频率的不同，电池寿命会存在合理损耗，正常的电池寿命损耗不在保修范围内。
- 4、吸盘内有产品二维码身份标签及防撕镭射标签，两个标签一旦损坏，产品将不再保修。

1.Man-made damages such as unused standard charger, inhalation of debris, rain and water, fall from high altitude, unauthorized dismantling tools, etc. are not covered by the warranty .

2.No warranty of tool burned due to unstable charging voltage.

3.Because of change charging environment and different frequency of use, battery life will reasonable damage , normal battery life damage is not covered by the warranty.

4.The tool has the labels of product QR code identity and anti-tear laser, once the two labels are damaged, the tool will not be warranted.

## 装箱配置表

Package Description

装箱配置明细 Package detail	数量 Quantity	规格 Description	检验 Inspect
工具主机 Tool main engine	1台 One set	350W双档位 350W double gears	
充电器 Charger	1P One pcs	输入100-240V 输出25.2V-1.0A Input100-240V,output25.2V-1.0A	
背包 backpack	1P One pcs	黑色加肩带 Black shoulder strap	
说明书 Instruction manual	1P One pcs	/	

## 保修卡

Warranty Card

产品名称 Product name	LED真空前维护工具 LED vacuum front maintenance tool	产品型号 Product model	H-01
售后电话 After sales tell			
售后地址 After sales address			
销售服务商 Sales service provider			
客户名称 Customer name		销售日期 Sales date	
维修记录 Maintenance records			