

PRODUCT SPECIFICATION

Receiving Card
HD-R500S

1. Overview

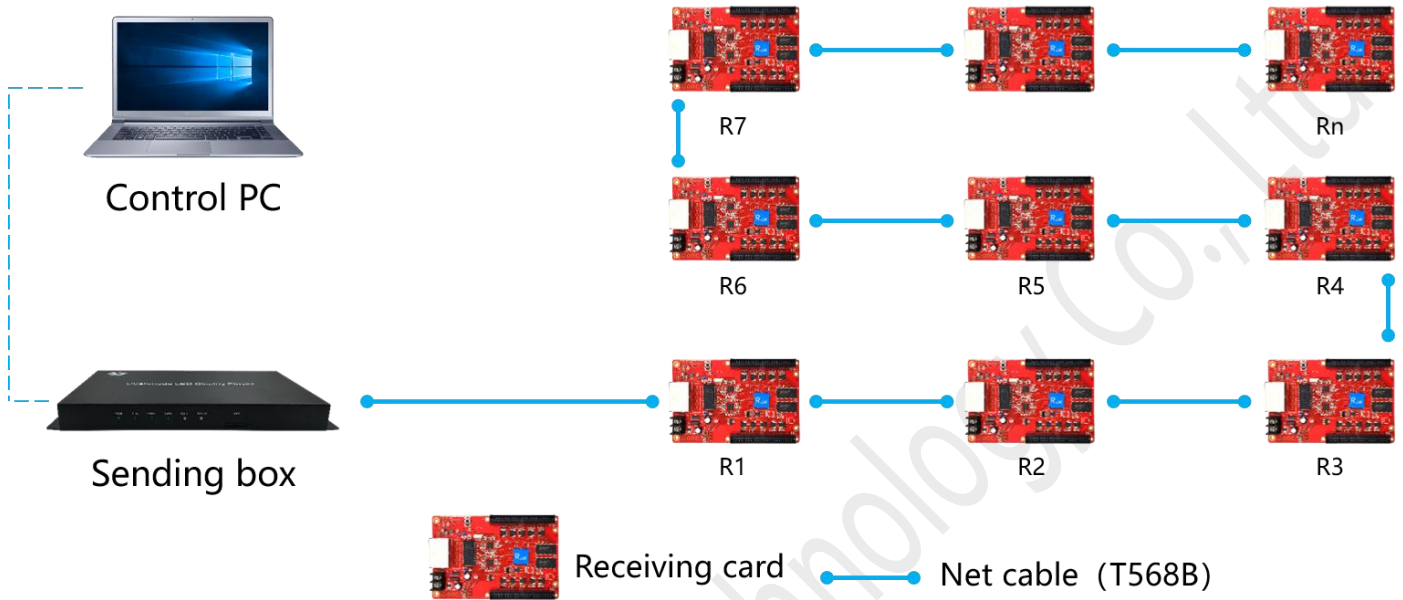
R500S is equipped with 2 lines 50PIN HUB universal interface, it can install HUB board of HUB75, HUB08, HUB12, HUB320, HUB40, etc. compatible with R series receiving card.

2. Parameters

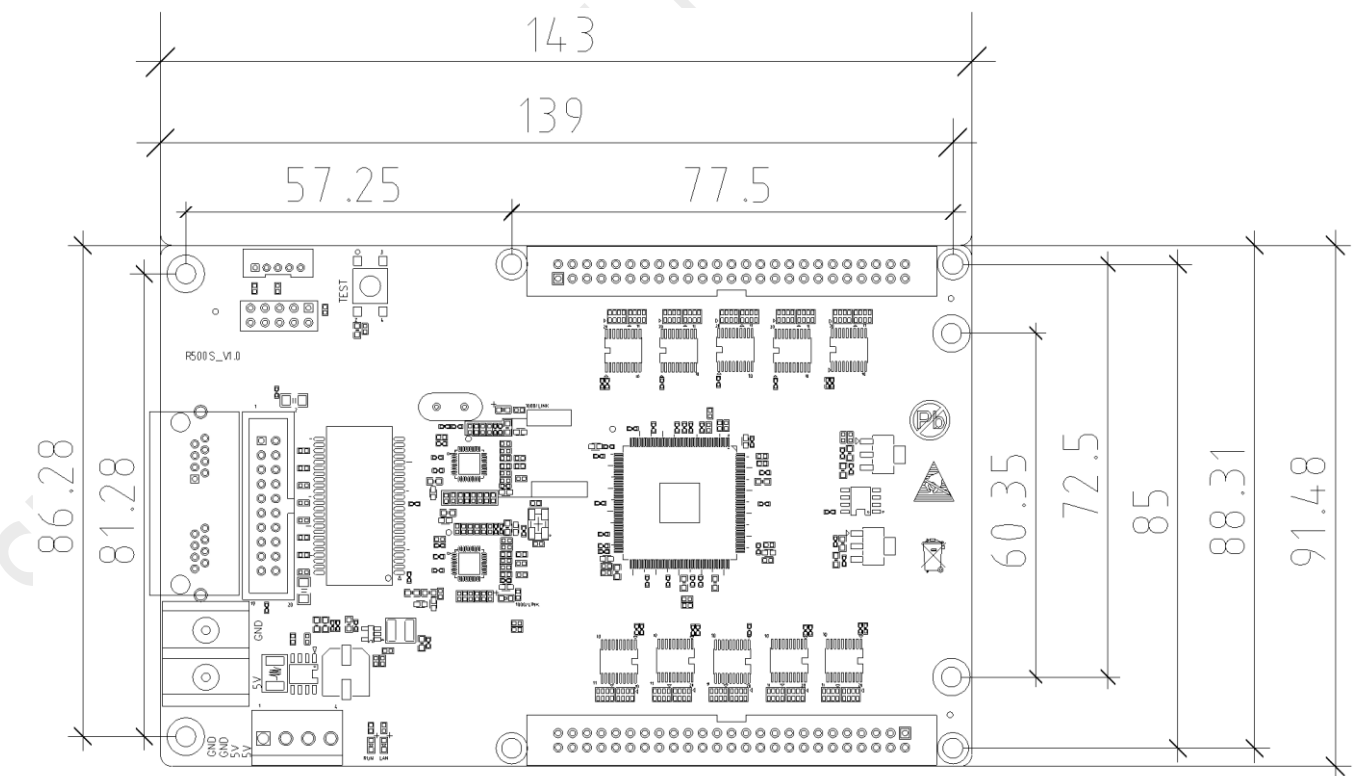
Features	Parameters
With sending card	Dual-mode sending box, Asynchronous sending card, Synchronous sending card, Video processor of VP series.
Module type	Compatible with all common IC module, supported most PWM IC module.
Scan mode	Supports any scanning method from static to 1/64 scan
Communication method	Gigabit Ethernet
Control range	Recommend: 65,536 pixels (128*512) Outdoor module width ≤256, Indoor module width ≤128
Multi-card connection	Receiving card can be put in any sequence
Gray scale	256~65536
Smart setting	A few simple steps to complete the smart settings, through the screen layout can be set to go with any alignment of the screen unit board.
Test functions	Receiving card integrated screen test function, Test display brightness uniformity and display module flatness.
Communication distance	Super Cat5,Cat6 network cable within 80 meters
Port	5V DC Power*1,1Gbps Ethernet port*2, 50 PIN HUB*2

3. Connection Method

Schematic diagram of connection between sending box and receiving card:



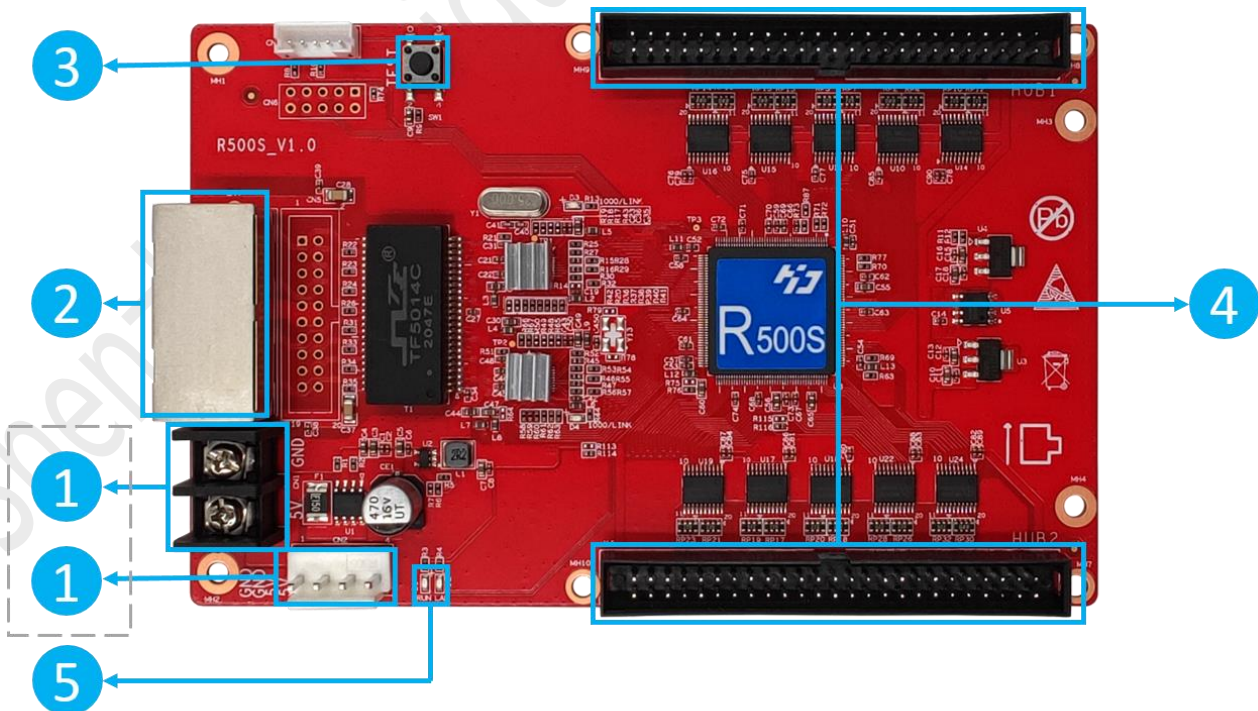
4. Dimensions



5. Interface Definition

VCC	2	1	GND	VCC	2	1	GND
VCC	4	3	GND	VCC	4	3	GND
NC	6	5	GND	NC	6	5	GND
BD7	8	7	NC	NC	8	7	BD7
RD7	10	9	GD7	RD7	10	9	GD7
BD6	12	11	NC	NC	12	11	BD6
RD6	14	13	GD6	RD6	14	13	GD6
BD5	16	15	NC	NC	16	15	BD5
RD5	18	17	GD5	RD5	18	17	GD5
BD4	20	19	NC	NC	20	19	BD4
RD4	22	21	GD4	RD4	22	21	GD4
BD3	24	23	NC	NC	24	23	BD3
RD3	26	25	GD3	RD3	26	25	GD3
BD2	28	27	NC	NC	28	27	BD2
RD2	30	29	GD2	RD2	30	29	GD2
BD1	32	31	NC	NC	32	31	BD1
RD1	34	33	GD1	RD1	34	33	GD1
BDO	36	35	NC	NC	36	35	BDO
RDO	38	37	GDO	RDO	38	37	GDO
LC	40	39	LD	LC	40	39	LD
LA	42	41	LB	LA	42	41	LB
CKA	44	43	STB	CKA	44	43	STB
GND	46	45	OE	GND	46	45	OE
GND	48	47	VCC	GND	48	47	VCC
GND	50	49	VCC	GND	50	49	VCC

6. Interface Description



No.	Interface	Description
1	Power interface	Can be accessed with 4.2V ~ 5.5V DC voltage.
2	Gigabit Ethernet port	Used to connect the sending card or receiving card, the same two network ports are interchangeable.
3	Test button	used to test display brightness uniformity and display module flatness
4	50 PIN HUB interface	install HUB board
5	Indicator light	display receiving card work state

7. Technical Parameters

Item	Parameter value
Rated Voltage (V)	DC 4.2V-5.5V
Working Temperature (°C)	-40°C~80°C
Working Environment Humidity (%RH)	0~95%RH
Storage Environment Humidity (%RH)	-40~90%°C
Net weight (kg)	0.084

Precautions:

- 1) Ensure the system long-term stable running, please use the standard power supply.
- 2) Please do not operate with electricity
- 3) Due to the production batch and other reasons, there may be a slight error between the photo and the real thing. If in doubt, please confirm with us.