

# Product Specification

---

**Synchronous Sending Box  
HD-T902x1**

## 1. Product Overview

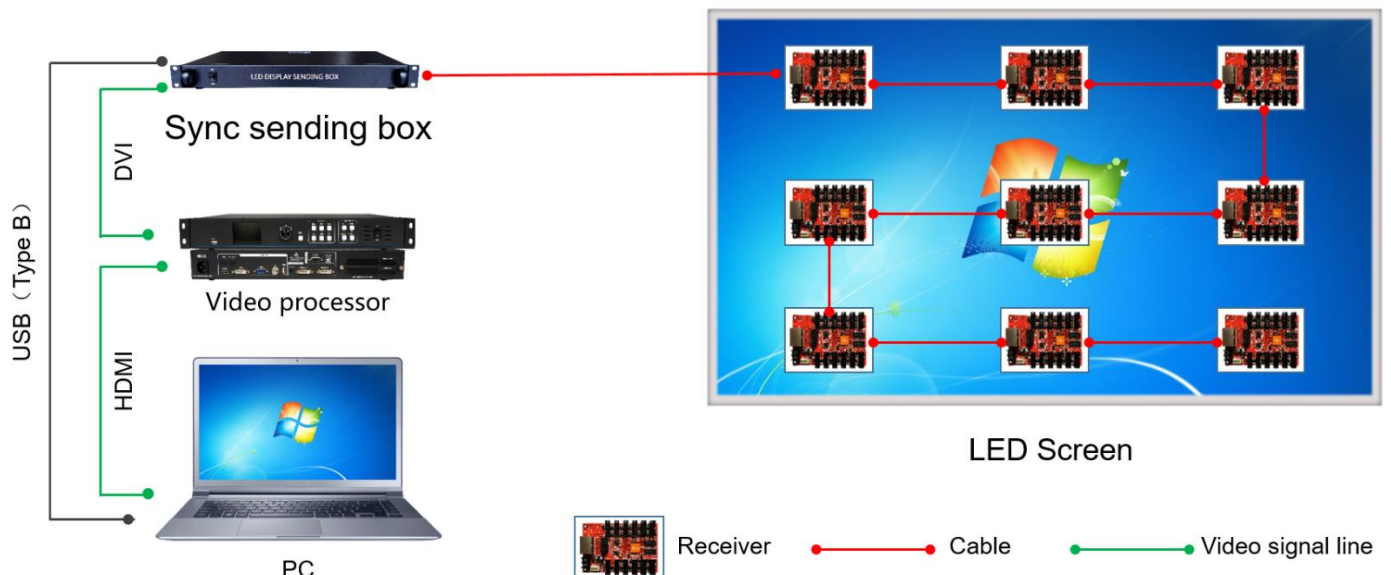
HD-T902x1 is a 4 network port synchronous sending box of Huidu, which is equivalent to 2 T901 sending cards and it is used with R series receiving cards. Support multiple T902x1 splicing display. Supporting computer playback control software HD Player and debugging software HD Set.

### Configuration list

Product name	Type	Function
Sending card	HD-T902x1	Core dashboard, convert and send data.
Receiving card	R series receiving cards	Connect the screen, show the program to the LED screen
Edit software	HDSset	Screen debugging and parameter setting of technical parameters.
Debug software	HD Show	Used for program editing and playback control.
Accessories		DVI cable, USB-B cable, net cable, AC power cable

## 2. Connection Diagram

Synchronous playback computer, television set-top boxes, cameras and other equipment picture.



## 3. Product Features

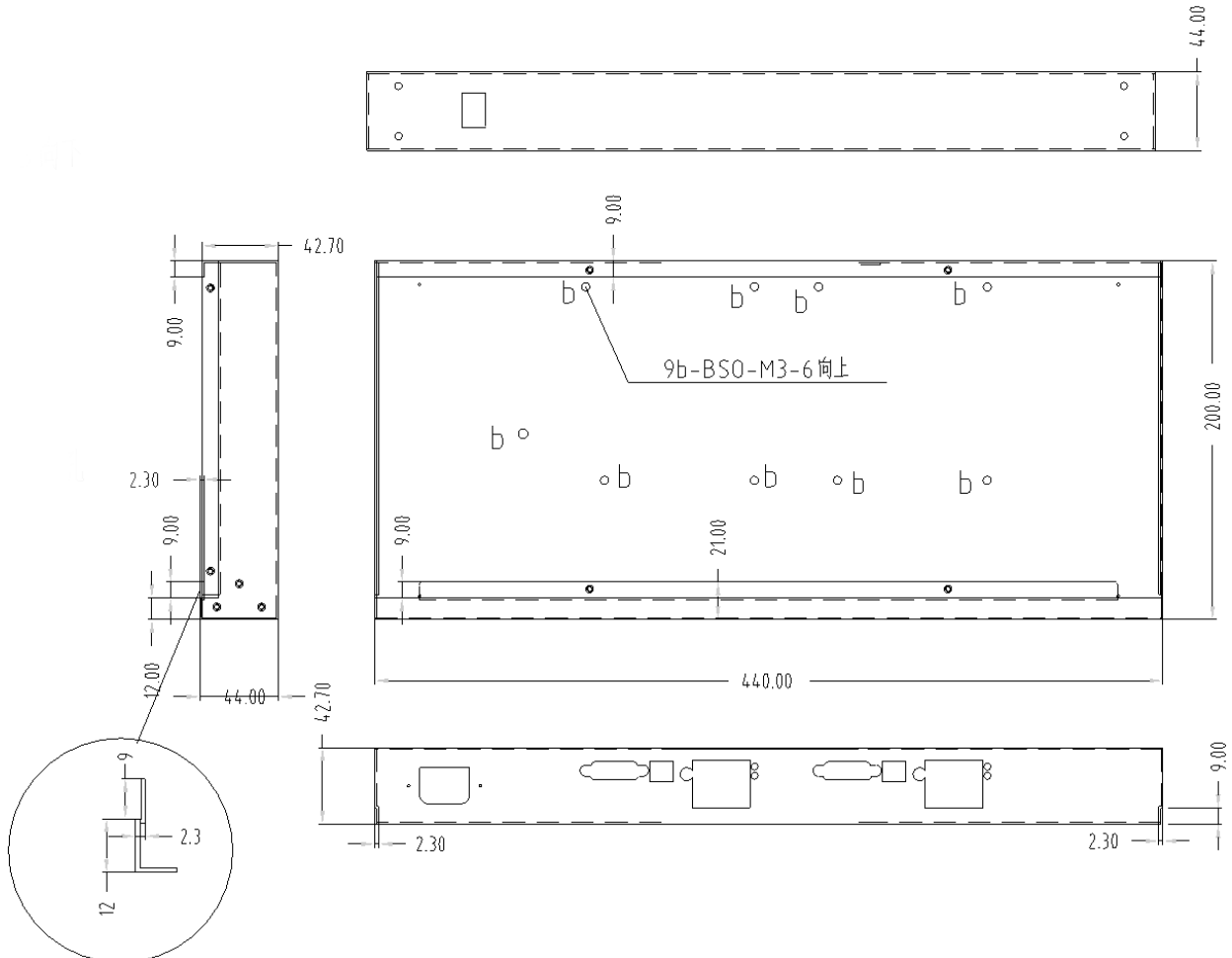
1. Support 1 dual channel stereo input;
2. One DVI video input;
3. USB-B control interface;
4. cascading multiple units can be unified control;
5. Built-in 110V~220V AC to 5V DC transformer;
6. 4 network port output, maximum control of 2.6 million pixels.

## 4. System Function List

Function	Parameters
<b>Control range</b>	Direct connect with computer can control 2.3 million pixels (1920*1200@60Hz) Connect with a video processor to control 2.6 million pixels (2048*1280@60Hz) Widest 3840, Highest 2048
<b>Program update</b>	DVI synchronous display
<b>Audio output</b>	Standard 3.5mm interface dual channel stereo input
<b>Audio input</b>	Need to cooperate with multi-function card to achieve audio output
<b>Communication type</b>	USB-B type interface, Gigabit network port
<b>Play box interface</b>	Input: AC 110~220V 50/60Hz power terminal *1, DVI *1, USB 2.0 *1, dual channel Audio* 1 Output: 1000M RJ45 *4
<b>Operating Voltage</b>	4.5V~5.5V, Input voltage AC 110~220V
<b>Debugging software</b>	HDSset
<b>Player software</b>	HD Show (not necessary)
<b>Power</b>	10W

## 5.Product size

Dimension error  $\leq 1\text{mm}$



## 6. Appearance Description



No.	Interface	Description
1	Power switch	Control the AC of the play box
2	Power interface	AC 110~220V input
3	LED Indicator	Working normally, the red light is always on; there is video source input, the green light flashes fast, otherwise it flashes slowly
4	Network	4 Gigabit Ethernet port outputs, connected to the receiving card
5	Audio output	Standard 3.5 dual-channel stereo input, transmitted to multi-function card via network cable
6	USB-B configuration interface	Connect the USB-B male port line to debug
7	DVI port	Video signal input interface

## 7. Appearance picture



## 8. Basic Parameters

Item	Parameter value
Rated Voltage (V)	DC 4.0V-5.5V
Working Temperature (°C)	-40°C~80°C
Working Environment Humidity (%RH)	0~90%RH
Storage Environment Humidity (%RH)	0~90%RH
Net weight (kg)	2.28kg

**illustrate:**

1. Welcome to choose Huidu Technology products. There may be slight differences between the product pictures in the specifications and the actual appearance (including the number of holes in the product size diagram, etc.). If you have any questions, please contact technical support or salesperson for confirmation.