



*Shenzhen Mooncell Electronics Co., Ltd*

## ***2IN1 Led Video Processor Series***

### ***MVB6S Product Specifications***



*Web: [www.mooncell.com.cn](http://www.mooncell.com.cn)*

*Skype: [cheersnigel](https://www.skype.com/name/cheersnigel)*

*ADD: 1st Floor, Comprehensive Building, Baoshi South Road, Shiyan Town,  
Baoan District, Shenzhen, PRC*

# CONTENTS

1.Product Overview.....	1
Product Introduction.....	1
Application Scenarios.....	1
2.Function Introduction .....	1
3.Product Parameters .....	2
Basic Parameters.....	2
Front Panel .....	2
Backside Panel.....	3
Dimensions.....	4
4.Product Specs.....	5
Basic Specs.....	5
Precautions .....	5

## Update History

File Version	Release Date	Update Record
V1.0	2022/05/04	First Release

# *1 Product Overview*

---

## *Product Introduction*

*MVB6S is a professional led display controller that has integrated the video splicing and the sending processing with powerful video signal receiving, splicing and processing abilities. The maximum loading capacity could reach up to 3.9 million pixels. It supports 2x HDMI and 1x DVI, 1x DP and 1x VGA signal, a seamless switching between multiple signals could be easily realized; it supports arbitrarily splicing, and it could support maximum 8 images to be displayed simultaneously.*

*MVB6S has 6x Gigabyte Ethernet Output Ports and a series of rich & useful functions, it provides a flexible controlling of the display with high quality of the images, it is suitable for all kinds of displays with different standards.*

## *Application Scenarios*

*It is suitable for various application scenarios such as small and medium-sized LED displays in shopping malls, hotels, exhibitions, and TV studios.*



## 2 Function Introduction

- ✧ Full Digital HD Interfaces, DVIx1, HDMIx2, DPx1, VGAx1, Audiox1.
- ✧ It supports 4K@30HZ, Full Size(Pixel to Pixel) Display.
- ✧ It has 6x Gigabyte Ethernet Output Ports.
- ✧ The maximum loading capacity could reach up to 3.9 million pixels, the widest pixel is up to 7680 and highest could reach up to 3840 pixels, the output resolution could be customized.
- ✧ It supports to freely switch the video sources and get the scale of the led display.
- ✧ It supports to get 4 images on the screen, the images could be superimposed, roamed g and scaled.
- ✧ The images can be instantly switched, so as to make sure the screen won't be totally black.
- ✧ The video source could be freely cropped and partially enlarged.
- ✧ The positions and sizes of the images could be freely adjusted.
- ✧ It supports to lock the screen with the buttons on the processor
- ✧ It supports a USB upgrading.
- ✧ The preset templates can be saved and loaded.
- ✧ To turn the screen to the black sate by pressing the button on the processor.
- ✧ Scheduled Task List supported.
- ✧ Built in self testing tool .
- ✧ Freely switch between the audio and video, the volume could be adjusted.

## 3 Product Parameters

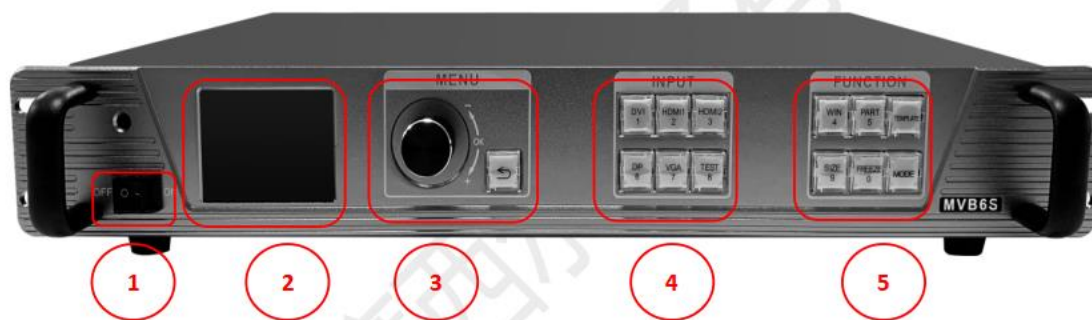
---

### Basic Parameters

<i>Loading Capacity</i>	<i>1 Network Port</i>	<i>650 thousand pixels</i>
	<i>1 unit ( entire unit)</i>	<i>3.9 million pixels</i>
<i>The Widest Pixels</i>	<i>7680</i>	
<i>The Highest Pixels</i>	<i>3840</i>	

## Hardware Introduction

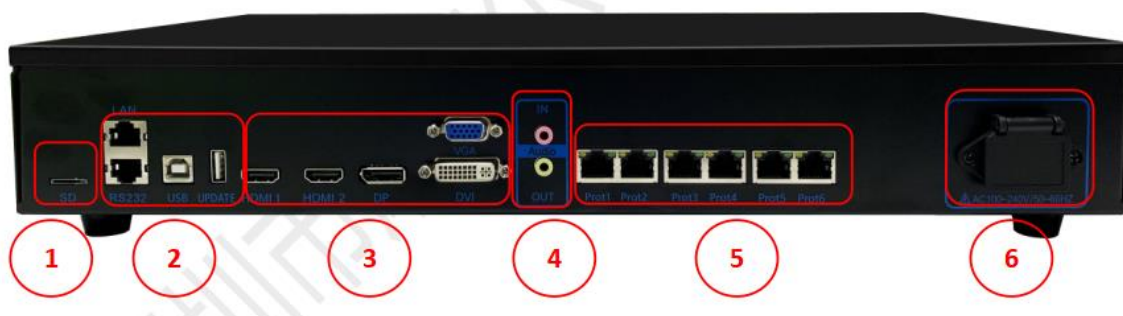
### Front Panel



<i>Front Panel Illustration</i>			
<i>#</i>	<i>Button</i>	<i>Illustration</i>	
<i>1</i>	<i>Power Button</i>	<i>Power on /Off the machine</i>	
<i>2</i>	<i>LCD</i>	<i>It displays the operation menu.</i>	
<i>3</i>	<i>Menu Button</i>	<i>Turn aside the button to select a certain menu, Escape button goes back to a certain menu.</i>	
<i>4</i>	<i>Input Source Ports</i>	<i>DVI</i>	<i>DVI Port/#1</i>
		<i>HDMI1</i>	<i>HDMI1Port/#2</i>
		<i>HDMI2</i>	<i>HDMI2 Port/#3</i>
		<i>DP</i>	<i>DP Port/#6</i>
		<i>VGA</i>	<i>VGA Port/#7</i>
		<i>TEST</i>	<i>Test Button/#8</i>
<i>5</i>	<i>Function Buttons</i>	<i>Win</i>	<i>Layer Selection/#4</i>
		<i>Part</i>	<i>Full or Partial Screen button/#5</i>
		<i>TEMPLATE</i>	<i>Multiple Templates</i>

		<i>SIZE</i>	<i>Adjust the Size/#9</i>
		<i>FREEZE</i>	<i>Freeze /Black Screen/#0</i>
		<i>MODE</i>	<i>Load Templates</i>

## Backside Panel

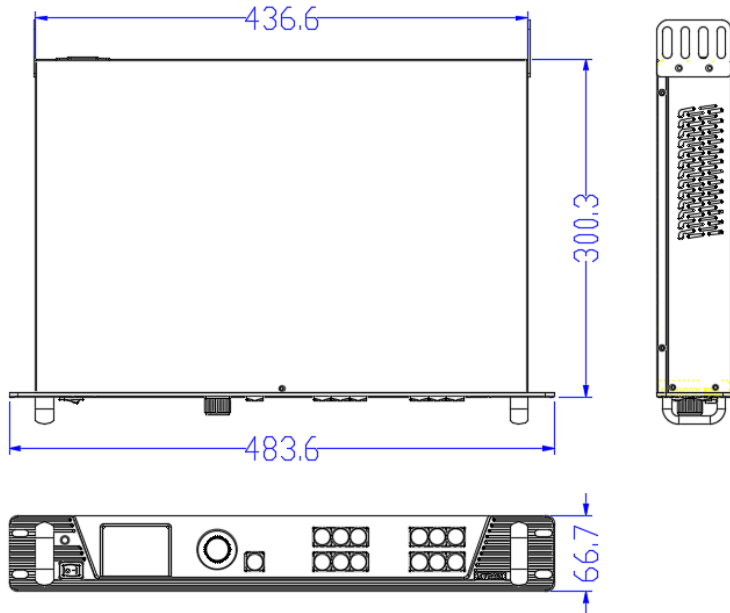


<b>Input Ports</b>			
#	Name	QTY	Illustration
3	DVI	1	1920x1080/60HZ、3840*540/60HZ and EDID management.
	HDMI1	1	1920x1080/60HZ、3840*1080/60HZ and EDID Management.
	HDMI2	1	1920x1080/60HZ、3840*1080/60HZ and EDID Management.
	DP	1	1920x1080/60HZ、3840*2160/60HZ and EDID Management.
	VGA	1	1920x1080/60HZ and EDID Management.
<b>Output Ports</b>			
#	Port Type	QTY	Illustration
5	Ethernet Port	6	Port Type:RJ45 Transmission Speed: 1000BaseTX Supported Card : Mooncell All series receiving card and its multifunctional card.
<b>Audio Port</b>			
#	Port Type	QTY	Illustration
4	AUDIO IN	1	3.5mm Audio Input
	AUDIO OUT	1	3.5mm Audio Output
<b>Control Port</b>			
#	Port Type	QTY	Illustration
2	UPDATE	1	USB Upgrade Port
	USB	1	Sending Card Debug Port(configure Port) to be connected to the Autoled Software



	LAN1	1	100M Megabyte Port (Reserved Port)
	RS232	1	Serial Port
<b>EXTENDED PORT</b>			
<b>#</b>	<b>Port Type</b>	<b>QTY</b>	<b>Illustration</b>
1	SD Card	1	Install the SD card to store or save the configuration file of the screen.
<b>Power Port</b>			
<b>#</b>	<b>Port Type</b>	<b>QTY</b>	<b>Illustration</b>
6	Power Port	1	AC:100V~240V

# Dimensions:



# 4 Product Specifications

## Specifications

<i>Electric Parameters</i>	<i>Input Voltage</i>	<i>AC-100-240V-50/60HZ</i>
	<i>Rated Power</i>	<i>25W</i>
<i>Operating Environment</i>	<i>Operating Temperature</i>	<i>0 °C - 45 °C</i>
	<i>Operating Humidity</i>	<i>10%RH-90%RH No Solidification</i>
<i>Dimensions</i>	<i>483.5 x 300.3x 66.7 mm( Length x Width x Height)</i>	
<i>Net Weight</i>	<i>5KG</i>	
<i>Packaging Dimensions</i>	<i>515×130×380mm</i>	
<i>Accessories</i>	<i>1×Certificate、1×DP Cable、1×HDMI Cable、1×DVI Cable、1×USB2.0 Cable、1×Power Cable</i>	

## Precautions

1. *High voltage danger: The working voltage of this product is AC -100V~240V.*
2. *It is forbidden to immerse conductive objects such as liquids and metal fragments into the equipment to avoid safety accidents.*
3. *Please use the equipment in a dry and clean environment.*