



Product Specification

Light Sensor SPS100

➤ **Introduction:**

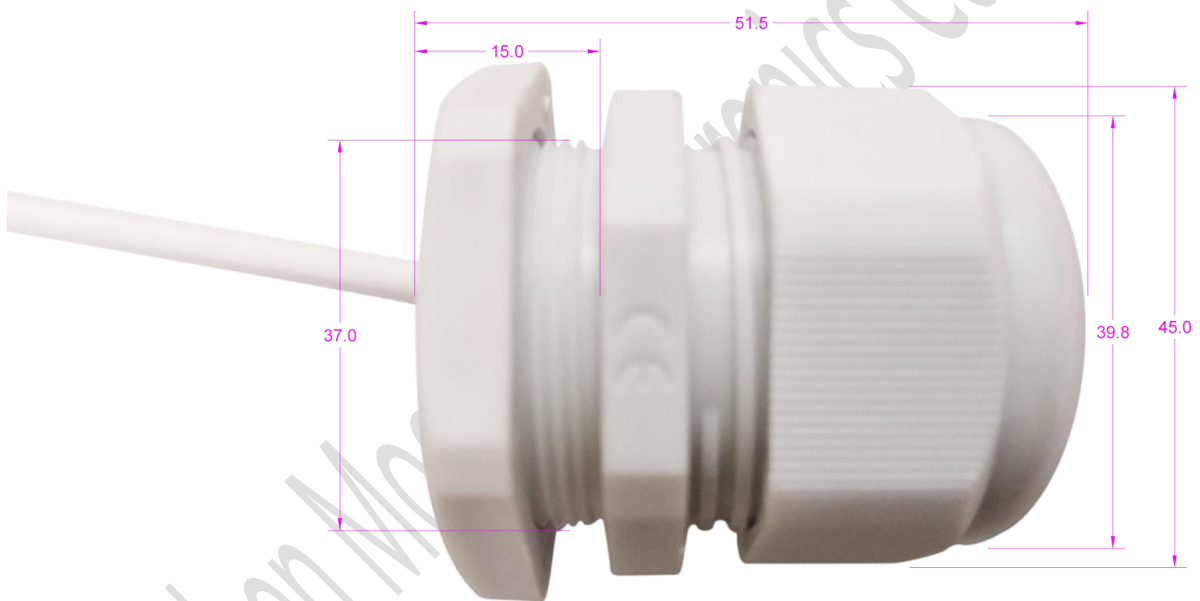
SPS100 is the light sensor that produced by Mooncell to be used together with Mooncell Multifunctional Card M-MFN02.

➤ **Features:**

1. To monitor the light values of the environment.
2. To be connected to the multifunctional card-MFN02.
3. It features the cable with 1.5m long.
4. There's no need to be connected to any external power supplies.

➤ **Dimensions:**

Unit: MM



➤ **Parameters:**

Model	SPS100
Rated Voltage	5.0V
Light Measurement Range	0-65535 lux
Working Environment Temperature	-30°C-75°C
Working Environment Humidity	0%RH-99%RH
Cable Length	1.5M
Net Weight	112g



➤ **Packaging:**

Item Name	Product Model	Quantity
Light Sensor	SPS100	1PCS

Shenzhen Mooncell Electronics Co., Ltd