

# Nova M3 NS048C Light Sensor

## Specifications

V2.0.0 2013-6-24

### 1. Functions



Nova NS048C is light sensor. It has the following characteristics:

- 1) Monitor the ambient brightness to achieve automatic brightness adjustment of LED display;
- 2) Connected to sending card (MSD300/600, MCTRL300/610), PSD100 or function card MFN300;
- 3) 5-meter standard cable, can be extended to 100 meters;
- 4) Outdoor use proofing;
- 5) No external power supply required;
- 6) Dimension:  $\text{Ø}45 \times 50$ ;

## 2. Dimensions

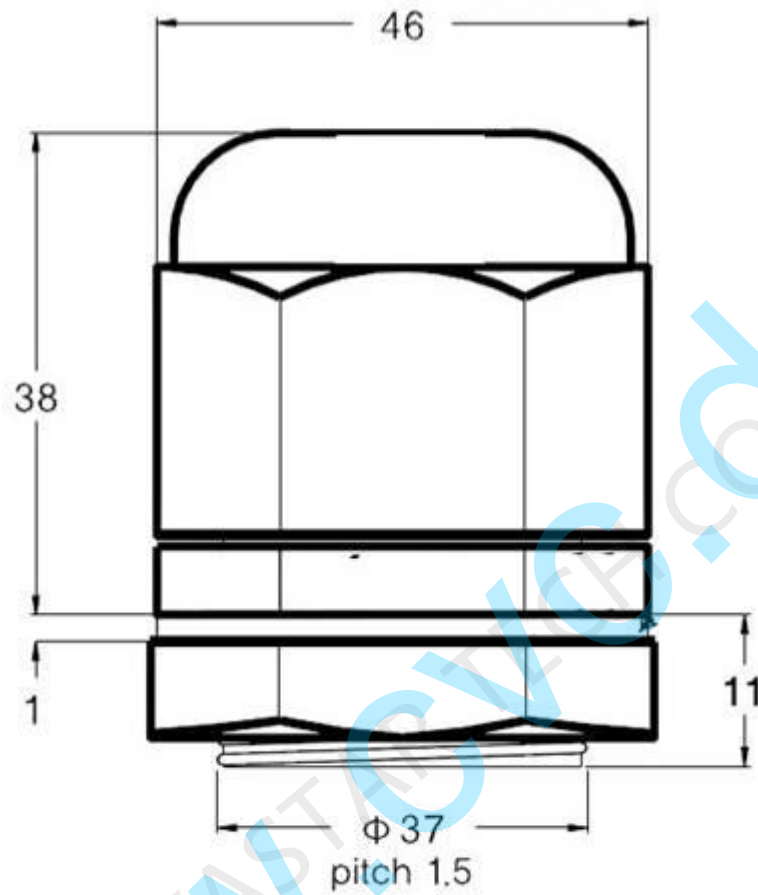


Fig. 1 NS048C Dimensions

### 3. Connection

#### Connection to function card MFN300:



Fig. 2 Connection to MFN300

#### Connection to controller MCTRL300:



Fig. 3 Connection to MCTRL300

## 4. Working conditions

Rated voltage	5V
Operating temperature	-20°C—75°C
Operating humidity	0—99%
Brightness range	0—65535 Lux