



 **SYSOLUTION**

S200

**Independent master video
processor**

Product specification

Version: Ver.1.0

Statement

Dear user friend, thanks for choosing Shanghai Xixun Electronic Technology Co., Ltd. (hereinafter referred to as Xixun Technology) as your LED advertising equipment control system. The main purpose of this document is to help you quickly understand and use the product. We strive to be precise and reliable when writing the document, and the content may be modified or changed at any time without notice.

Copyright

The copyright of this document belongs to Xixun Technology. Without the written permission of our company, no unit or individual may copy or extract the content of this article in any form.

Trademark



is a registered trademark of Xixun Technology.

Update Record

No.	Version	Update	Revise
1	Ver.1.0	Initial	2022.12.19

The document is subject to change without prior notice.

SHENZHEN SYSOLUTION TECHNOLOGY CO., LTD

Product Description

The S200 has the ability to receive multiple types of video signals, ultra-high definition full 4K x 2K @ 60Hz image processing capability and transmitting capability; can send processed video to the LED display through the network and optical fiber port; and has a powerful processing capability to effectively improve the utilization of the band load powerful processing capability, ultra-stable performance and super high cost performance.

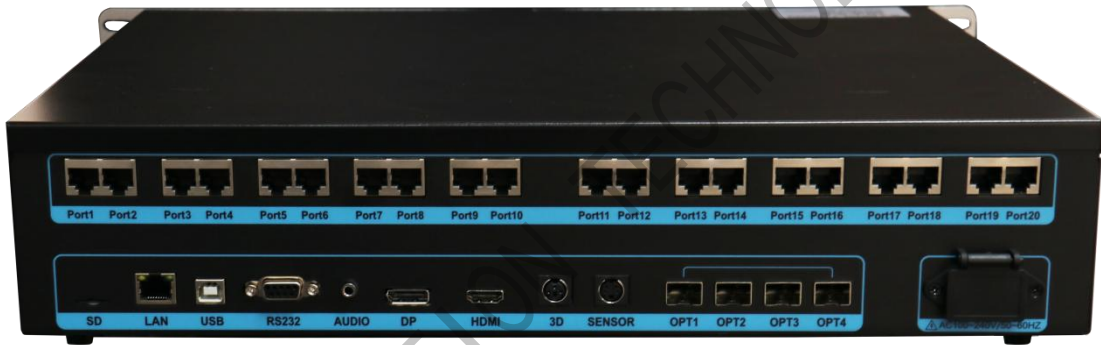
Applicable scenarios

The S200's powerful video processing and distribution capabilities can be used in a wide range of applications including high-end rental and small pitch displays for stages, conferences, events, exhibitions and more.

Product Features

1. Rich input interfaces: with 1 DP1.2 input; 1 HDMI2.0 input; 1 AUDIO audio input.
2. Multiple output interfaces: 20 gigabit network outputs; 4 fibre optic bi-directional duplex transmissions.
3. Multiple communication control modes: 1 USB interface; 1 serial interface; 1 100 megabit network interface.
4. Support for network port loop backup, dual master backup.
5. Support for a wide range of preset resolutions; and support for resolution customisation.
6. Compatible with a wide range of frame rate inputs such as 30HZ, 50HZ, 60HZ and 120HZ.
7. Support for the monitoring of transmitter card operating parameters and status by the host software.
8. Support for reading back configuration parameters.
9. Support for Gigabit network BER check.

Product Images



Features

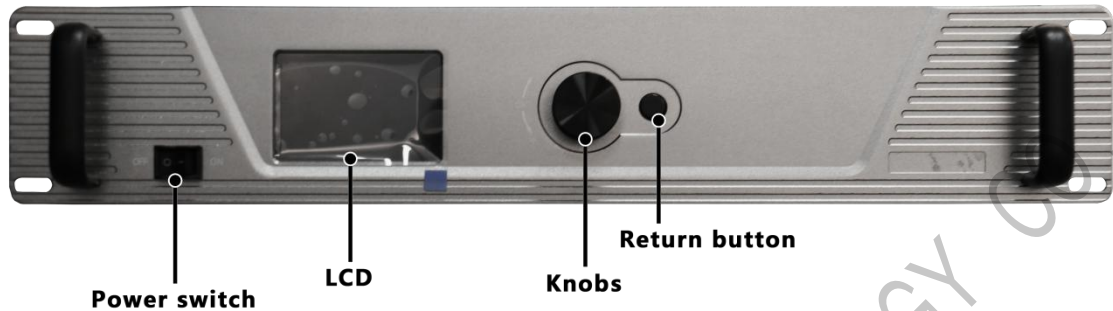
1. Multiple input interfaces: 1 x HDMI2.0, 1 x DP1.2, 2 x DVI, 2 x HDMI1.3, 1 x 3G-SDI.
2. EDID management supporting input resolution management for DVI, HDMI, DP interfaces.
3. Single 20-channel gigabit network output with a maximum load of 10.4 million pixel point LED screens.
4. Customised output resolution with a maximum output width of 15360 pixels horizontally and 15360 pixels vertically.
5. Picture-in-picture function: insertion of other screens into the main 4K input screen.
6. Multi-layer function: up to 5 layers can be superimposed and switched at will.
7. Screen transparency function: each group of window screens supports independent transparency settings.
8. Support for audio in and out, with audio and video switching on the fly.
9. Support for 8 scenario templates for direct invocation.
10. Built-in clock with support for fixed-scene template switching.
11. Support for external brightness sensors to automatically adjust the brightness of the LED screen display following the environment.
12. Support for 3D display, active 3D display, electronic shutter 3D, continuous frame mode.
13. Support for key lock function.
14. Support for patrol and SD card backup and restore.
15. Supports screen freeze and one-touch black screen for output screen.

Load range

Load carrying capacity	Single Network Port		650,000 pixel point
	Whole Card		10.4 million pixel points
Load range	Single Network Port	Wide	128-4096 pixel points
		High	64-4096 pixel points
	Complete machines	Wide	128-7680 pixel points
		High	64-7680 pixel points
Offset range	Wide	0-7679 pixel points	
	High	0-7679 pixel points	

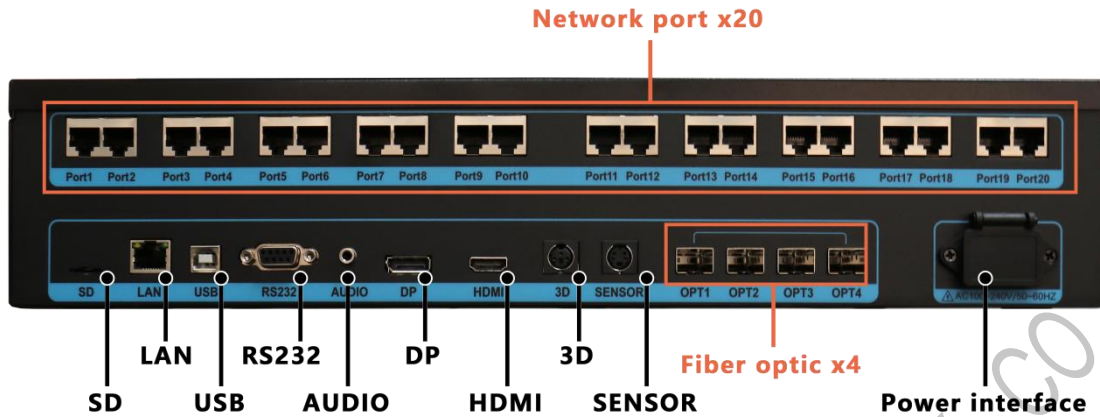
Interface definitions

Front panel



Front Panel Description		
Serial number	Keystrokes	Description
1	Power switch	Master power switch
2	LCD	For displaying the current status of the device and setting the parameters of the menu items
3	Knobs	When in the main interface, press the knob to enter the menu operation interface. For menu operation, turn the knob to select a menu, press the knob to select the current menu or enter a sub-menu
4	Return button	Exits the current menu or operation.

Rear panel



Input interface		
Interface	Number	Description
AUDIO	1	3.5mm audio input jack
DP	1	Supports resolutions of 3840 x 2160 @ 60Hz, backwards compatible; graphics card customization up to 7680 wide and 7680 high.
HDMI	1	Supports resolutions of 3840 x 2160 @ 60Hz, backwards compatible; graphics card customization up to 7680 wide and 7680 high.
Output Connector		
Interface	Number	Description
Network port	20	20 Gigabit network port outputs with a band load of up to 10.4 million pixels. The maximum band load for a single network port is 650,000 pixel points at 8 bit input source.

Fiber optic	4	10G fibre optic interface When used as outputs: OPT1 and OPT2 are the main transmitters; OPT3 and OPT4 are the backup outputs; when used as receivers: OPT1 and OPT2 are the main receivers; OPT3 and OPT4 are the backup receivers.
Control interface		
Interface	Number	Description
USB (square port)	1	Connect to PC
RS232	1	1 DB9 female socket for connection to the central control unit.
LAN	1	100 megabit network communication interface for LAN communication
Extended Function Interface		
SD	1	Connection of SD card for storing device parameters, readback from SD card for device replacement without debugging
3D	1	Connection to 3D transmitter; (reserved interface, functions to be customised)
SENSOR	1	Connection of a light-sensing probe for automatic brightness adjustment.

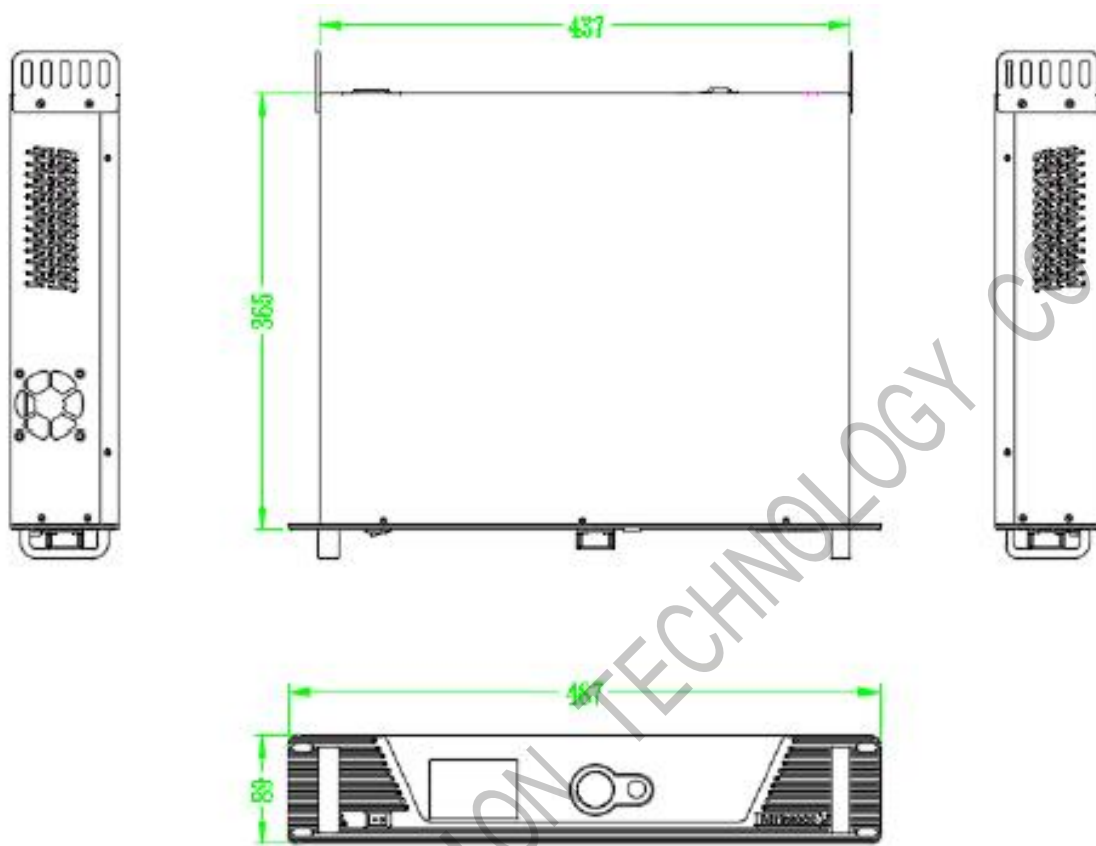
Power supply interface		
Interface	Number	Description
Power connector	1	AC-100-240V-50/60HZ AC power interface

SHENZHEN SYSOLUTION TECHNOLOGY CO., LTD

Working parameters

Electrical parameters	Input voltage	AC-100-240V-50/60HZ
	Power rating	70W
Working environment	Operating temperature	-20°C-70°C
	Working humidity	10%RH-90%RH no coagulation
Dimensions	487x365x89mm (L x W x H)	
Net weight	6.2Kg	
Packaging information	Outer box dimensions	565 x 445 x 185mm
	Accessories	1×DP cable, 1×HDMI cable, 1×USB cable, 1× power cable, 1×qualification certificate

Dimensional drawings



Unit: mm

Cautions

1. High voltage hazard: This product operates at AC-100V to 240V.
2. It is forbidden to immerse liquids, metal fragments and other conductive objects into the interior of the equipment to avoid safety accidents.
3. Please use the appliance in a dry, clean environment.

SHENZHEN SYSOLUTION TECHNOLOGY CO., LTD