



Android Control Card Y08

Product specification

Version: Ver. 1.1

Statement

Dear user friend, thanks for choosing SHENZHEN SYSOLUTION TECHNOLOGY CO.,LTD (hereinafter referred to as Xixun Technology) as your LED advertising equipment control system. The main purpose of this document is to help you quickly understand and use the product. We strive to be precise and reliable when writing the document, and the content may be modified or changed at any time without notice.

Copyright

The copyright of this document belongs to Xixun Technology. Without the written permission of our company, no unit or individual may copy or extract the content of this article in any form.

Trademark



is a registered trademark of Xixun Technology.

Certification

1. The information release platform has passed the third-level record certificate of the information system security of the Ministry of Public Security.
2. Registration certificate of License for audiovisual programs transmitted through information networks for material review of the letter sending platform.
3. Passed the national quality inspection and stable product certificate.

Update Record

No.	Version	Update	Revise
1	Ver.1.0	Initial	2022.12.01
2	Ver.1.1	Update functional features	2023.02.07

The document is subject to change without prior notice.

SHENZHEN SYSOLUTION TECHNOLOGY CO., LTD

Products

Xixun Y08 working temperature from -40°C to 95°C, with eight hub75 ports, supports up to 16 groups of RGB parallel data, no need receive cards; supports access to the cloud platform, easily realize the display off-site cluster control; hardware and software design fully consider the user deployment, operation and maintenance scenarios, make the deployment easier, more stable operation, more efficient maintenance; adopts safe and stable function design, it saves space and reduces wiring for users. It can be used for car screens, small traffic screens, community screens, light pole screens and other small band loading scenarios.

Y08 series adopts industrial-grade quad-core processor, integrating four Cortex-A35, dual-core Mali-G31 GPU, quad-core main frequency 1.5GHz, and can run stable under 90°C high temperature, memory support 1GB+8GB (compatible with 2GB+16GB) LPDDR3. The chip can support GSM, WCDMA, TD-SCDMA, EVDO, TDD-LTE, FDD-LTE and other standards, and is a highly integrated product.

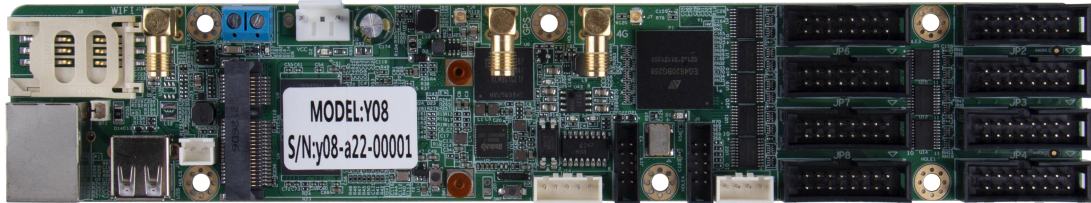
Functional Features

1. Eight-port hub75 output direct output to ensure stability of picture transmission.
2. Support external eight-element environmental sensor R68 via 485 interface to display environmental information without secondary development.
3. Support external GPS positioning and timekeeping modules to ensure synchronisation of multi-screen picture playback.
4. Support two remote power cuts, one to control the screen switch and one to control the street light switch.
5. Support optional 4G module, the module model varies from country to country, please provide the country of use for shipment.
6. On-board WiFi module for wireless communication.
7. Support AP mode, Station mode; The control card comes with an AP hotspot.
8. Support secondary development and remote cluster control on cloud platforms.
9. Built-in Web Sever, supporting local webpage production, programme distribution and display control for PC, mobile phones, pads and other user terminals, remote programme distribution and display control for clusters, remote monitoring of screen status for clusters.
10. Powerful processing performance with a 4-core processor at 1.5GHz, support for 1080P video hard decoding and 1GB of running memory.
11. 8GB of internal storage space, with 4GB available to the user.
12. The user terminal connects to the WiFi hotspot that comes with the Y08, the default SSID

is "SN number" and the default password is "12345678".

13. Support GPS timing/time alignment.
14. Automatic adjustment of the display brightness, which requires a matching brightness sensor.
15. Support broadcasting programmes by way of programme lists.
16. Centralised setting of timer on/off, volume and brightness through the management system.
17. Support USB cameras.
18. Support NTP accurate automatic time calibration.
19. Supporting software: AIPS 4.0 cloud publishing platform, PC-based software LedOK Express, mobile app: LedOK Kit.

Product Appearance



SHENZHEN SYSOLUTION TECHNOLOGY CO., LTD.

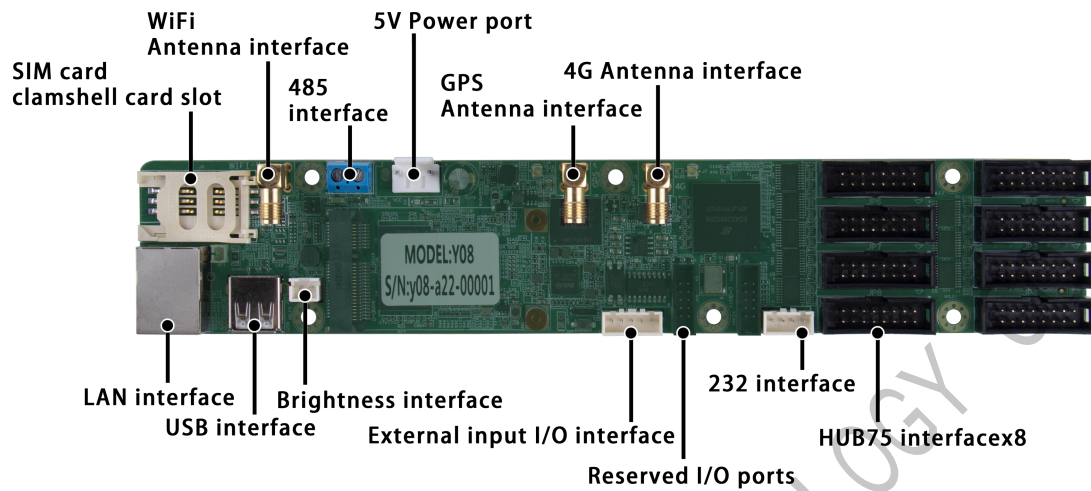
Product Parameters

Product features	Description	
Model	Main: Y08 (no 4G), Y08-CH (China 4G full network access), Y08-G (global access, recommended abroad)	
Pixel	Y08: 60,000 dots, resolution 256 (W)*256 (H) or 512*128, custom resolution support	
Communication	Network port, WiFi, USB stick, optional 4G module	
CPU	Cortex-A35 quad-core at 1.5GHz	
GPU	Mali-G31MP2 OpenGL ES3.2, Vulkan 1.0, OpenCL 2.0 Dvalin-2EE	
System memory	8GB Emmc+1GB LPDDR3	
Operating systems	Android 9	
WiFi	IEEE 802.11b/g/n 2.4G	
GPS	GNSS GPS/Beidou/Glonass	
Other interface support	<ol style="list-style-type: none"> 1. 1 stereo audio output. (Requires extension of an adapter card, optional) 2. 1 x USB 2.0 interface. 3. Support for importing and playing programmes from a USB stick. 4. 1 x RS485 interface, 1 x RS232, 1 x TTL serial port. Connection of brightness sensors, other sensors, and connection of other modules for corresponding functions. 	
Configuration	LedOK Express	
Supported Bands		
Model	3G/4G bands (optional)	Certification

<p>Y08-CH</p>	<p>-China (China/India)</p> <p>FDD-LTE: B1/3/5/8</p> <p>TDD-LTE: B38/39/40/41</p> <p>TDSCDMA: B34/39</p> <p>WCDMA: B1/8</p> <p>CDMA 1X/EVDO: BC0</p> <p>GSM: B3/5/8</p>	<p>Mandatory certification: SRRC/ NAL/ CCC</p> <p>Other: WHQL</p>
<p>Y08-NA</p>	<p>-North America (North America)</p> <p>FDD-LTE: B2/4/5/7/12/13/17</p> <p>WCDMA: B2/4/5</p>	<p>Carrier certification: AT&T/ T-Mobile/ Rogers/ TelusVerizon/ AT&T (FirstNet)/ T-Mobile/ U.S. Cellular/ Rogers/ Telus</p> <p>Mandatory/conformance certification: FCC/ IC/ PTCRB</p> <p>Other: WHQL</p>
<p>Y08-EU</p>	<p>-Eurasia (EMEA/Korea/Thailand/India and other Asian countries)</p> <p>FDD-LTE: B1/3/5/7/8/20</p> <p>TDD-LTE: B38/40/41</p> <p>WCDMA: B1/5/8</p> <p>GSM: B3/5/8</p>	<p>Operator certification: Vodafone/Deutsche Telekom/SKT/ Telefónica</p> <p>Mandatory/conformance certification: GCF/ CE/ KC/ NCC/ RCM/ FAC/ NBTC/ ICASA</p> <p>Other: WHQL</p>

Y08-LA	-Latin America (Latin America / Australia / New Zealand) FDD-LTE: B1/3/5/7/8/28 TDD-LTE: B40 WCDMA: B1/2/5/8 GSM: B2/3/5/8	Mandatory certification: GCF/ FCC/ Anatel/ NCC/ RCM Other: WHQL
Y08-G	-Global (Global) FDD-LTE: B1/2/3/4/5/7/8/12/13/ 18/19/20/25/26/28 TDD-LTE: B38/39/40/41 WCDMA: B1/2/4/5/8/6/19 GSM: Quad-band	Carrier certification: Deutsche Telekom/ Verizon/ AT&T/ Sprint/ U.S. Cellular/ Telus Mandatory/conformance certification: GCF/ CE/ FCC/ PTCRB/ IC/ Anatel/ IFETEL/ SRRC/ NAL/ CCC/ KC/ NCC/ JATE/ TELEC/ RCM/ NBTC/ IMDA/ ICASA Other: WHQL
Y08-J	-Japan (Japan) FDD-LTE: B1/3/8/18/19/26 TDD-LTE: B41 WCDMA: B1/6/8/19	Carrier certification: NTT DOCOMO/SoftBank/ KDDI Mandatory certification: JATE/ TELEC Other: WHQL

Interface Labelling



Type		Description
Input interface	Power connector	+5V power supply
	LAN port	Gigabit network input
	USB port	USB2.0 interface, support for U disk programme import and playback, Debug interface
	Brightness line interface	Optional RL2 brightness sensor
	External testing	sos, eme, busy, spa, acc
Output Connector	485 interface	Baud rate 9600
	TTL/232 interface	Baud rate 9600 (two choices default TTL)
	GPS interface	GNSS GPS/Beidou/Glonass
	WIFI interface	IEEE 802.11b/g/n 2.4G
	4G interface	4G module interface
	Audio output connector	Stereo audio output External operation indicator, external reset (optional and to be specified on order)
	HUB75 interface	8 x HUB75 signal outputs
Power indicator	Red light always on	Normal

FPGA Indicator	Red slow flash	Normal operation
CPU indicator	Red slow flash	Normal operation

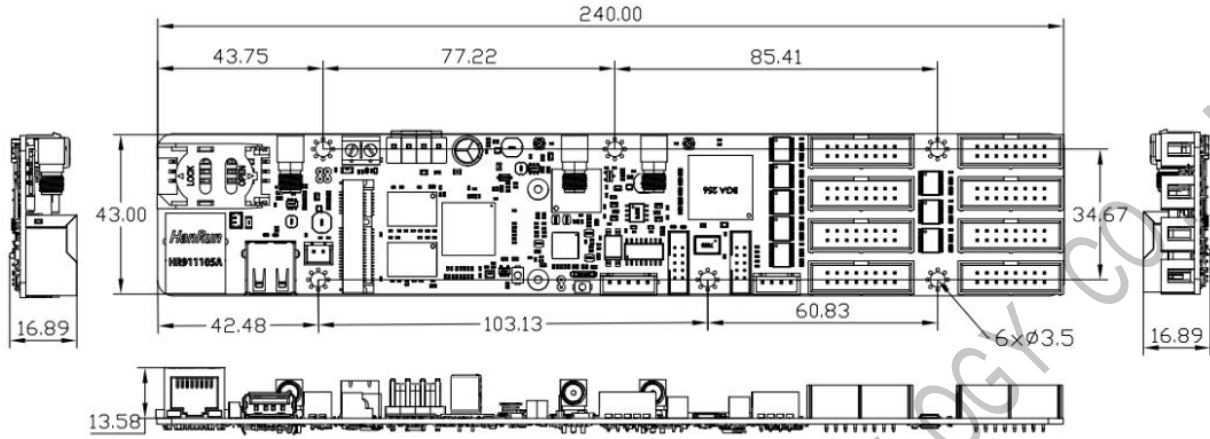
SHENZHEN SYSOLUTION TECHNOLOGY CO., LTD

Working Conditions

Working parameters	
Operating voltage (V)	12V
Operating current (A)	0.9A Max: 3A
Maximum operating power consumption (W)	15
Operating temperature (°C)	-40°C to +95°C
Storage temperature (°C)	-40°C ~75°C, recommended 5°C ~35°C
Humidity of the working environment (%)	10% ~ 90%, no condensation

1. It is recommended that the control card be powered by a separate (12V/3A or higher) power supply.
2. High operating temperatures can cause a dramatic drop in power supply efficiency. If the control card and module share the same power supply, please ensure that the control card has a stable voltage and a reasonable actual current supply.

Dimensional Drawings



Unit: mm

Dimensional drawing of the bare board installation

Accessories

Standard accessories	Size/quantity	
WiFi Patch Antenna	1.5m*1 (80cm patch optional)	
4G suction cup antenna (with optional 4G module)	3m*1 (80cm patch optional)	
Optional accessories	Accessory functions	
Humidity line RH1	For detecting the current humidity of the external environment	
Luminance line RL2	For sensing the brightness of the current environment	
8 in 1 Environmental Sensor R68 / 6 in 1	Temperature, humidity, illuminance, PM2.5, PM10, noise, wind speed, wind direction	
Power statistics RM1275	View daily electricity consumption in real time	
G10 positioning module	GPS positioning module	
Matching accessories available (optional for the above, additional models to be ordered on request)		
Packaging information	Dimensions (L x W)	255mm x 150mm
	List	WiFi Patch Antenna 1.5m
Dimensions (L x W)	240mm x 43mm	
Net weight	110g	

Cautions

1. It is strictly forbidden to disassemble the product yourself.
2. It is strictly forbidden to plug and unplug the SIM card with electricity.
3. The use of inappropriate voltages for power supply is strictly prohibited.
4. It is strictly forbidden to share the screen body 200W/5V switching power supply to power the card, which will lead to unstable system operation and low speaker sound.

