

# PRODUCT SPECIFICATION

Receiving card  
HD-K08

V1.1

**Update history:**

Release version	Release time	Release notes
V1.1	2024.5.28	Update fonts and formatting.
V1.0	2024.5.23	First official release.

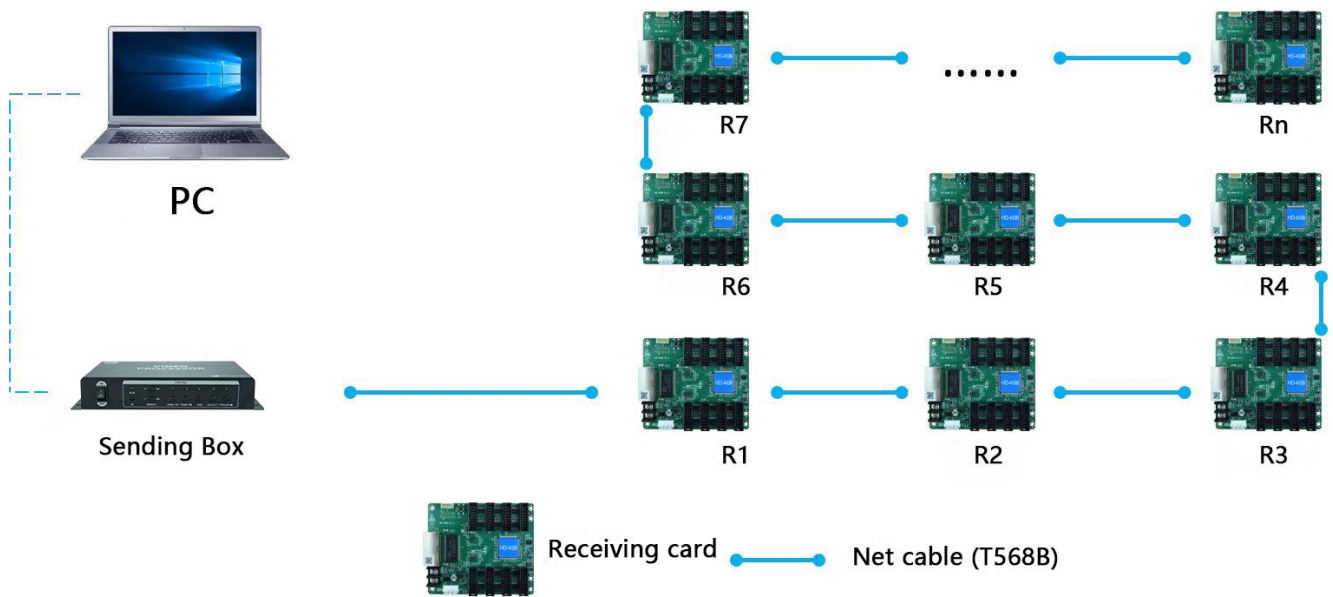
## 1. Overview

K08 is an LED display receiving card that supports both synchronous control system and asynchronous control system. It does not require an adapter board. It has 8 standard HUB75E interfaces on the board and has good stability. It supports 16 sets of RGB parallel data.

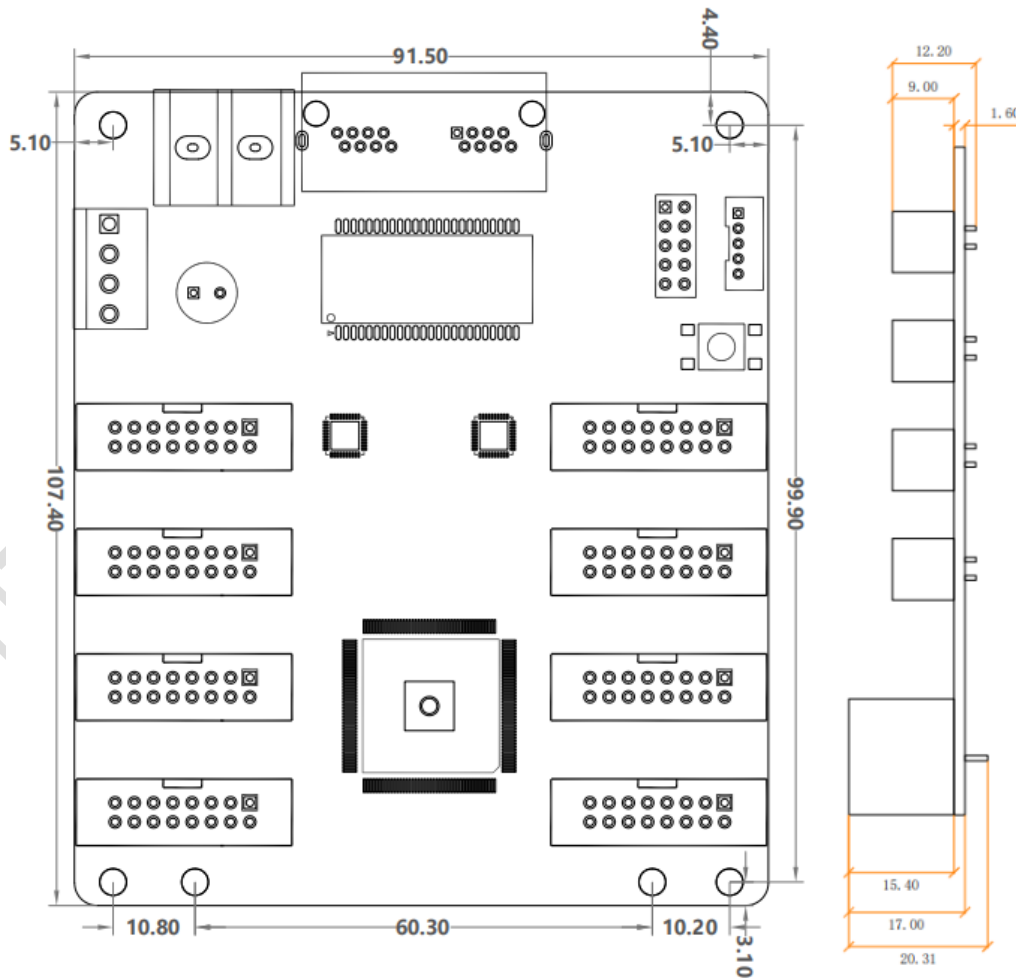
## 2. Parameters

Function	Parameter
<b>Support sending type</b>	Support similar asynchronous dual -mode playback boxes, asynchronous transmission cards, synchronous transmission cards, and two -in -one video processors.
<b>Support module</b>	Supports all conventional chip modules; supports mainstream PWM chip modules
<b>Scanning method</b>	Supports any scanning method from static to 1/128 scan, supports spot and null point settings
<b>Way of communication</b>	Gigabit network port
<b>Loading capacity</b>	Conventional chip & ShiXin LS chip: 128*512, PWM chip: 256*512; Stay in the empty area without incorporating a carrier;
<b>Multi -card connection</b>	The receiving card can be arbitrarily sorted, nano -second -level synchronization
<b>Gray level</b>	Support 256 ~ 65536 level
<b>Smart settings</b>	Simple a few steps to complete the intelligent settings, the display unit board that can be matched with any wiring method through the screen line settings
<b>Test function</b>	Receive card integration screen test function, test the brightness of the display screen and the flatness of the display module
<b>Communication distance</b>	Over five and six types of network cables within 80 meters
<b>Interface</b>	Two 5V power interfaces, two Gigabit network ports, eight groups of HUB75E interfaces
<b>Input voltage</b>	3.8V-5.5V
<b>Work power</b>	3 watt

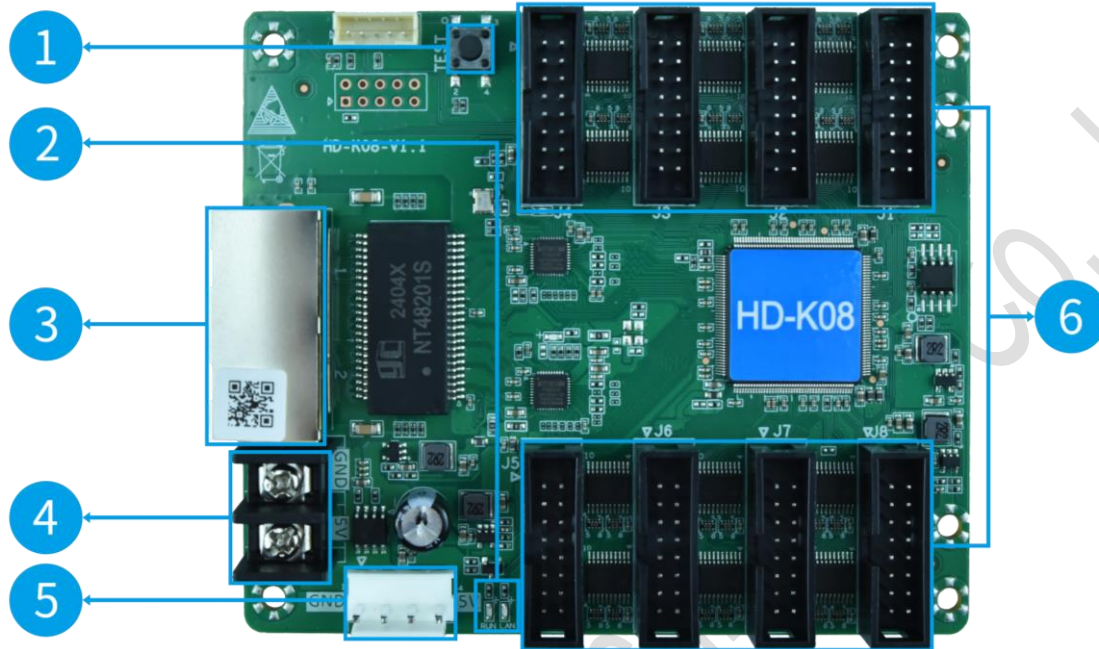
### 3. Connection Method



### 4. Dimensions

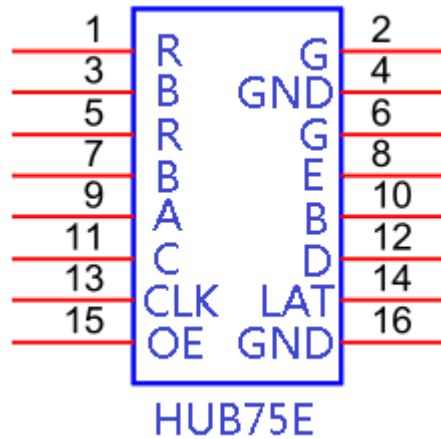


## 5. Appearance Description



No.	Interface	Description
1	Test key	Used to test the brightness uniformity of the display screen and the flatness of the display module.
2	Work indicator light	RUN light flashes to indicate that the control card is operating normally; LAN light flashes quickly to indicate that Gigabit has been recognized and data is being received.
3	Gigabit network port	Connect the sending card or receiving card regardless of the input/output interface.
4	Power input interface 1	Binding post type power input interface.
5	Power input interface 2	Fool-proof power input interface.
6	Cable interface	8 sets of HUB75E interfaces are connected to the module through cables.

## 6. Interface Definition



## 7. Technical Parameters

Parameter item	Parameter value
Working voltage	DC 3.8V-5.5V
Working temperature	-25°C~75°C
Working humidity	0~95%RH
Storage humidity	0~95%RH
Net weight	About 80g

### Precautions:

- 1) To ensure long-term stable operation of the system, please use a standard power supply;
- 2) Please do not operate with power on;
- 3) Due to production batches, sampling inspections, etc., there may be slight differences between the photos and the actual items. If you have any questions, please confirm with our company.