

PRODUCT SPECIFICATION

**Receiving card
HD-K12**

V1.1

Update history:

Release version	Release time	Release notes
V1.1	Aug. 23, 2024	First official release.

Shenzhen Huidu Technology Co., Ltd.

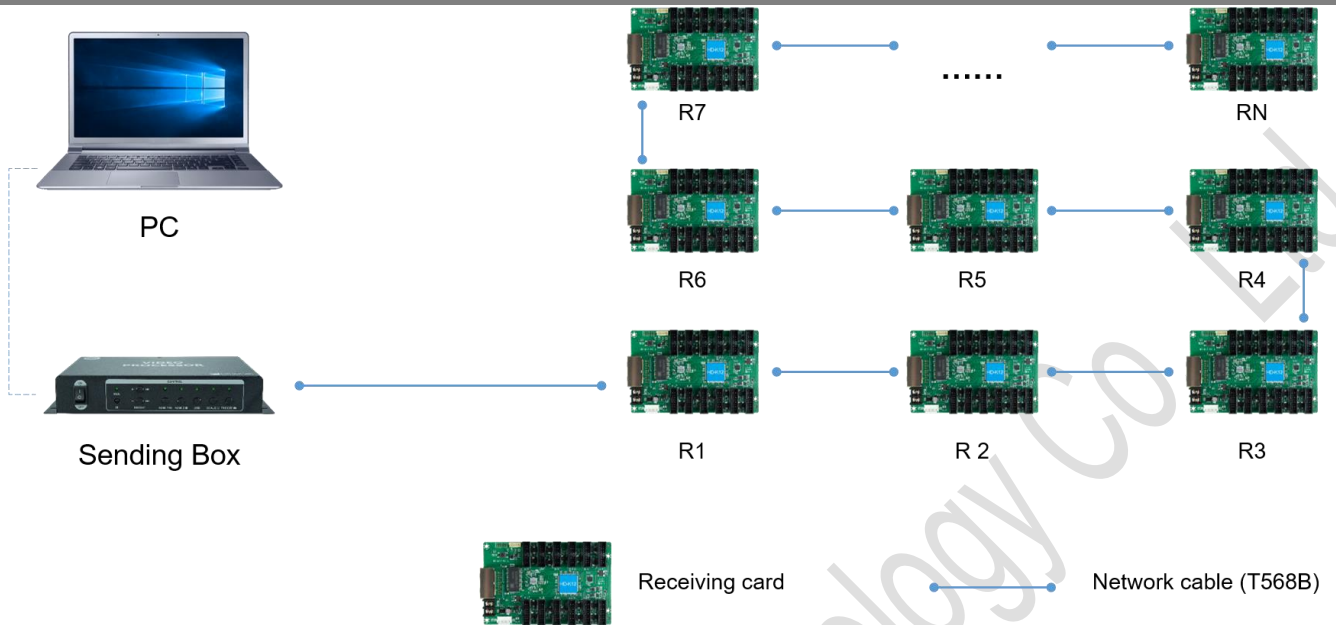
1. Overview

K12 is an LED display receiving card that supports both synchronous control system and asynchronous control system. It does not require an adapter board. It has 12 standard HUB75E interfaces on the board and has good stability. It supports 24 sets of RGB parallel data.

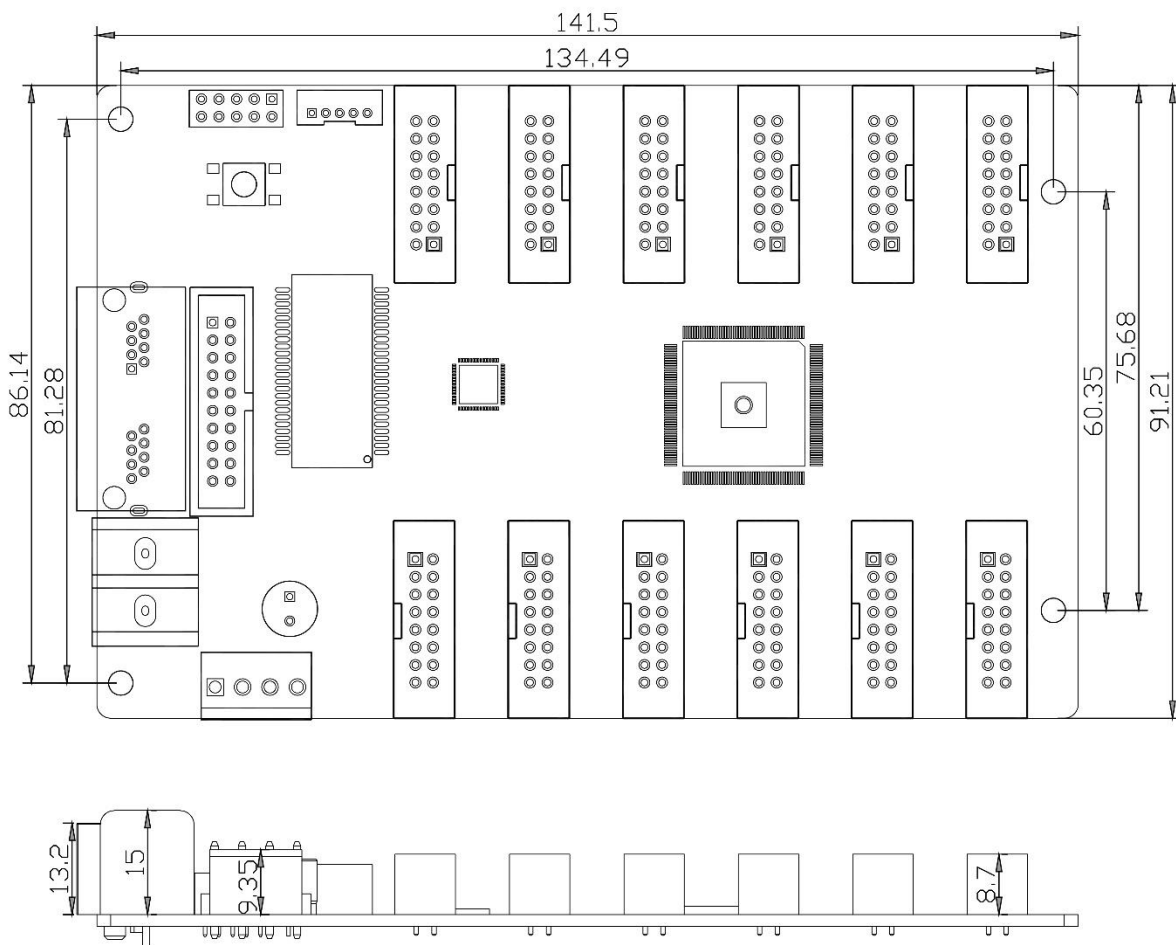
2. Parameters

Function	Parameter
Support sending type	Support similar asynchronous dual -mode playback boxes, asynchronous transmission cards, synchronous transmission cards, and two -in -one video processors.
Support module	Supports all conventional chip modules; supports mainstream PWM chip modules
Scanning method	Supports any scanning method from static to 1/128 scan, supports spot and null point settings
Way of communication	Gigabit network port
Loading capacity	Conventional chip & ShiXin LS chip: 192*512, PWM chip: 384*512; Stay in the empty area without incorporating a carrier;
Multi -card connection	The receiving card can be arbitrarily sorted, nano -second -level synchronization
Gray level	Support 256 ~ 65536 level
Smart settings	Simple a few steps to complete the intelligent settings, the display unit board that can be matched with any wiring method through the screen line settings
Test function	Receive card integration screen test function, test the brightness of the display screen and the flatness of the display module
Communication distance	Over five and six types of network cables within 80 meters
Interface	Two 5V power interfaces, two Gigabit network ports, eight groups of HUB75E interfaces
Input voltage	3.8V-5.5V
Work power	3 watt

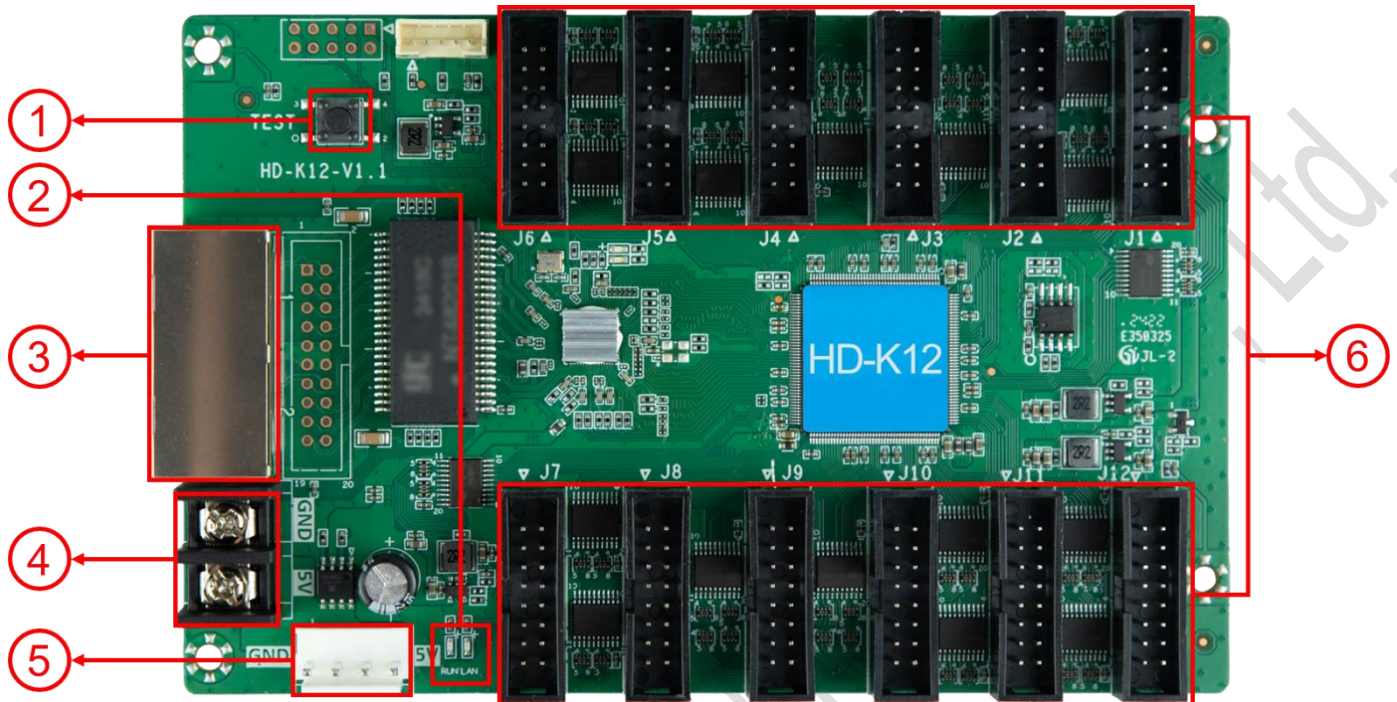
3. Connection Method



4. Dimensions

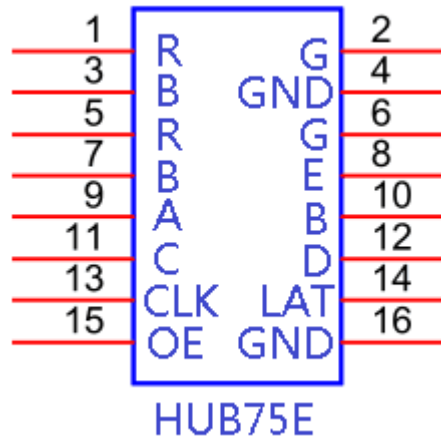


5. Appearance Description



No.	Interface	Description
1	Test key	Used to test the brightness uniformity of the display screen and the flatness of the display module.
2	Work indicator light	RUN light flashes to indicate that the control card is operating normally; LAN light flashes quickly to indicate that Gigabit has been recognized and data is being received.
3	Gigabit network port	Connect the sending card or receiving card regardless of the input/ output interface.
4	Power input interface 1	Binding post type power input interface.
5	Power input interface 2	Fool-proof power input interface.
6	Cable interface	12 sets of HUB75E interfaces are connected to the module through cables.

6. Interface Definition



7. Technical Parameters

Parameter item	Parameter value
Working voltage	DC 3.8V-5.5V
Working temperature	-25°C~75°C
Working humidity	0~95%RH
Storage humidity	0~95%RH
Net weight	About 91g

Precautions:

- 1) To ensure long-term stable operation of the system, please use a standard power supply;
- 2) Please do not operate with power on;
- 3) Due to production batches, sampling inspections, etc., there may be slight differences between the photos and the actual items. If you have any questions, please confirm with our company.